



# POOLSPA

THE MOOD FOR A BATH

SPA BATHS



A bath with POOLSPA  
evokes a unique **composition**  
**of diverse sensations,**  
**bubbling emotions,** extreme  
temperatures tailored to meet your specific  
needs and make you feel free to play  
with them in any way you can imagine,  
depending on your mood.

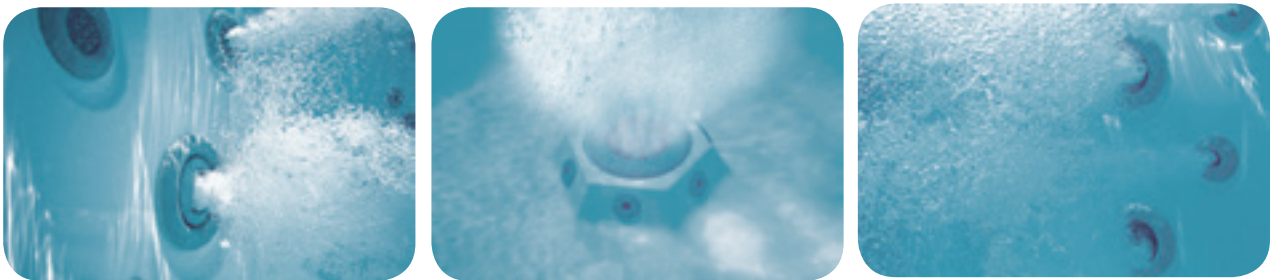
POOLSPA – the mood for a bath



For years, in private enclaves of relaxation, POOLSPA has been considered to be successfully assisting its clients with obtaining strength and comfort from the favourable effect of water. Both, stationary and portable family baths have been created in order to provide you with maximum comfort. Therefore, they have been made with the use of the best quality materials, the stateof- the-art technology and their design, complying with the latest trends and offering the wide selection of the best possible aesthetic finishing, allows them to be easily adopted to any interior decoration. The perfect composition becomes the source of emotions that you really expect: mental and physical energy balance, relaxation or appropriate stimulation. Simultaneously with your moments of relaxation you can be absolutely certain of remaining eco-friendly due to the pro-ecological solutions applied to our products.

# Tune yourself to SPA

The top quality POOLSPA baths, equipped with the state-of-art technology will allow you to plunge yourself into the world of relaxation and fully take advantage of the therapeutic properties of water and light.



4

**H y d r o m a s s a g e** in the form of either underwater power showers or gentle bubbling baths will definitely affect your physical and mental state, relaxing your mind and body or just the opposite, putting you into a feeling of pleasant excitement. Could you find anything more pleasant than the favourable effect of water streams after a stressful day?

Our portable baths also give you the opportunity to benefit from the positive effects of ozone which is becoming more and more commonly used in medicine. Its specific properties:

- support heart's action and blood circulation system,
- soothe climacteric related problems,
- help to remove stretch marks, cellulite and wrinkles,
- improve complexion colours,
- support varicose veins and skin diseases treatment.



You can also put yourself into an excellent mood thanks to **chromotherapy** which takes advantage of therapeutic properties of light and colours to fight against tiredness. You can adjust their effect to your current needs, either to get more energy or to calm down, putting yourself into the state of deep relaxation.

Experience the beneficial power of baths with POOLSPA and then invite your nearest and dearest for common therapeutic session to share the opportunity of obtaining pleasure and genuine vitality!

# Contents

PORTABLE SPA BATHS	8
Marina SPA 188 x 133 cm	10
Katalina SPA 193 x 193 cm	12
Laguna SPA 213 x 213 cm	14
Waterspace SPA 220 x 230 cm	16
Victoria SPA Ø 177 cm	18
Victoria SPA Ø 249 cm	20
STATIONARY SPA BATHS EVOLUTION	22
Katalina SPA 193 x 193 cm Evolution	24
Laguna SPA 213 x 213 cm Evolution	26
Waterspace SPA 220 x 230 cm Evolution	28
Victoria SPA Ø 177 cm Evolution	30
Victoria SPA Ø 249 cm Evolution	32
How do hydro-massage devices work?	34
Colours and illumination	34
A bath and a massage under full control!	35
Accessories that perform well in every venue	35
How does POOLSPA help to maintain hygiene?	36
High quality of portable baths	37
Novelty. Evolution line	37

## STATIONARY FAMILY SPA BATHS 38

Janette 175 x 193 cm	41
Janette 197 x 215 cm	41
Victoria Ø 177 cm	42
Victoria Ø 249 cm	42
Classic 186 x 213 cm	44
Classic 260 x 234 cm	44
Octavia 179 x 179 cm	45
Octavia 226 x 226 cm	45
Natalie 253 x 253 cm	46
Sunflower Ø 283 cm	46
Olivia 248 x 299 cm	46
Vesta 230 x 230 cm	49
Vesta 290 x 290 cm	49

How do hydro-massage devices work? 50

A bath and a massage under full control! 50

Colours and illumination 51

Equipment 52

The brand you can trust! 54

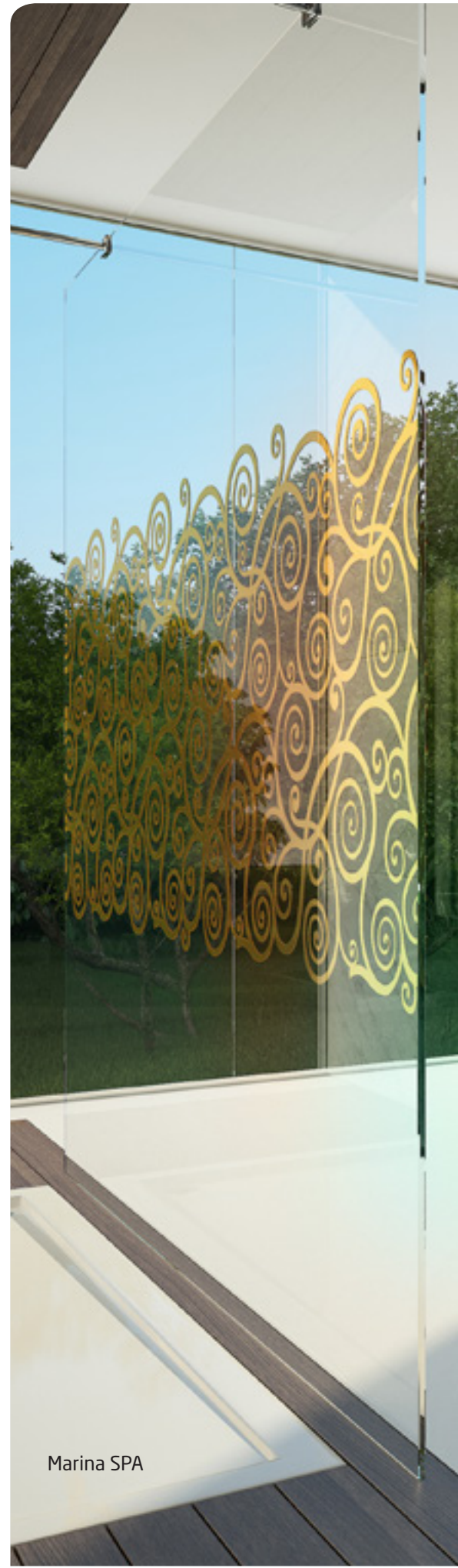
Learn more about POOLSPA! 55

Find and contact a professional  
customer service in your local area! 55

# Portable SPA Baths

8

Create a unique space of relaxation and invite your relatives and friends! New trendy colours and aesthetic finishing elements will allow you to adopt your POOLSPA baths to any possible environment. Your portable SPA bath will perform well not only in your bathroom, but also in your garden where, thanks to anti-frost technology, it can be used throughout the year. You don't have to worry about the environment as your SPA bath is eco-friendly.



Marina SPA





# Marina SPA 188 x 133 cm

Size: 188 x 133 cm  
 Height: 75 cm  
 Depth: 69,5 cm  
 Capacity: 580 l

THE BATH IS DESIGNED FOR 3 PEOPLE

NUMBER OF NOZZLES: 32

**TYPES OF NOZZLES:**

- regular mini-nozzles – 25
- ozone mini-nozzle – 1
- big regular directional nozzles – 4
- big rotary nozzles – 2
- a unit of 38 air ducts
- 70 massage points

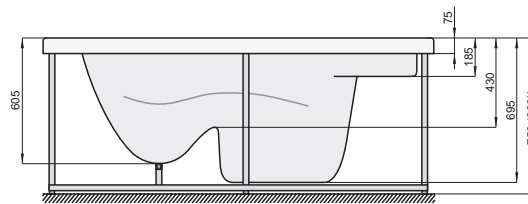
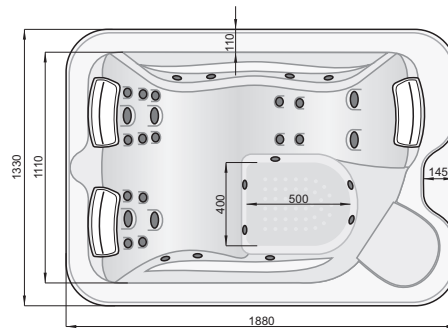
**REQUIRED POWER SUPPLY:**

- 230 V AC, 50 Hz

**UNIQUE FEATURES**

A relatively small size (the bath can be easily carried through the door of a standard width) and not a very heavy weight of the Marina SPA bath enable its users to take full advantage of the benefits of a hydro-massage taken either indoors or outdoors. An additional advantage of the bath is the *anti-frost* system which protects the water from freezing. It forces heated water flow in the bath piping once the water temperature falls below 6°C.

**TECHNICAL DRAWING**



**EQUIPMENT ELEMENTS:**

- 32 nozzles
- air ducts
- electronic control
- air and water massage function
- 2-gear water massage pump
- air supported water massage
- air fan with a heater
- electric heater 3 kW
- ozone generator or UV lamp (to choose from)
- water temperature control
- *anti-frost* system
- replaceable skimming telescoping filter
- underwater LED illumination, white or coloured (to choose from)

Various colours of acrylic available. All the elements of the equipment are installed in the bath's casing.

**CASING:**

- 4-piece wooden casing – mahogany or pinewood (to choose from)
- wood-like casing in mahogany or grey colour (to choose from)

**ACCESSORIES:**

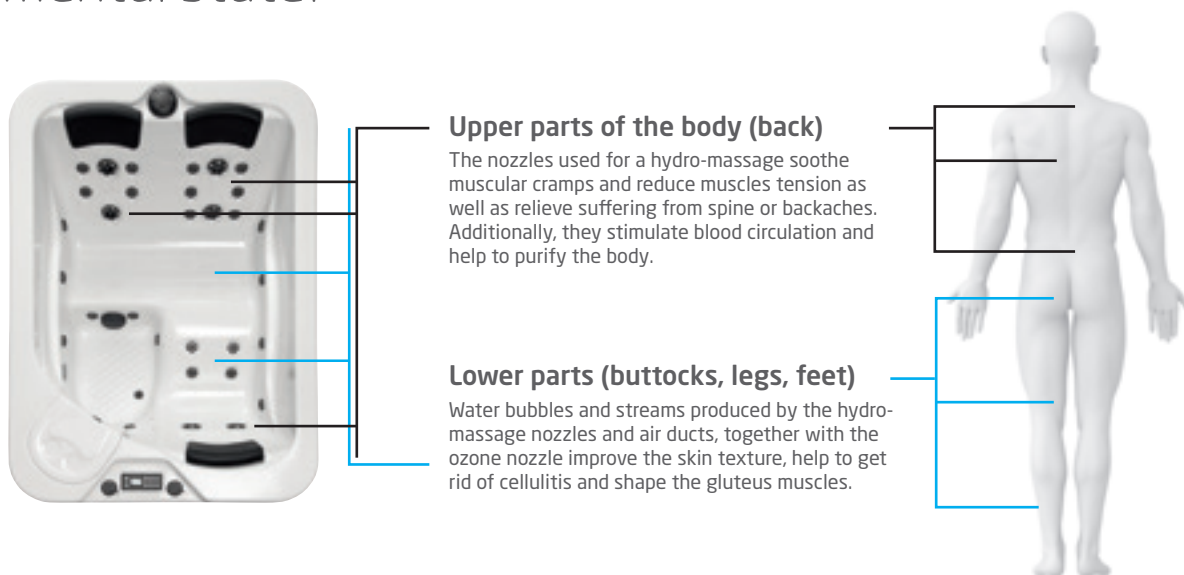
- wooden steps, mahogany or pinewood (to choose from)
- thermal cover in grey or brown colour (to choose from)
- a thermal cover lift (on request)
- 3 headrests

\* Sizes presented in brackets apply to the SPA bath together with its casing. The measurements in the technical drawing are given in millimetres.



Marina SPA

# How does SPA affect our health and our physical and mental state?



# Get familiar with the unique functions of your SPA bath!



# Katalina SPA 193 x 193 cm

Size: 193 x 193 cm  
 Height: 86 cm +/- 2 cm  
 Depth: 75 cm  
 Capacity: 880 l

**THE BATH IS DESIGNED FOR 4 PEOPLE**

**NUMBER OF NOZZLES: 25**

**TYPES OF NOZZLES:**

- regular mini-nozzles - 16
- directional mini-nozzle - 1
- ozone mini-nozzle - 1
- big regular directional nozzles - 5
- big rotary nozzles - 2
- a unit of 75 air ducts
- 100 massage points

**REQUIRED POWER SUPPLY:**

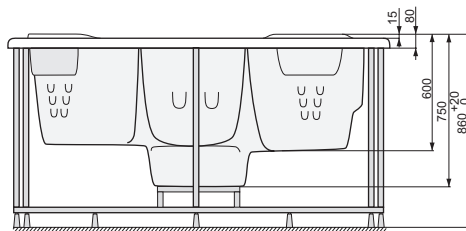
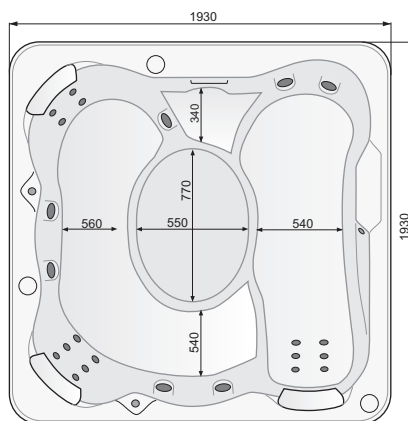
- 230 V AC, 50 Hz (heater 3 kW)
- 3N 400 V AC, 50 Hz (heater 6 kW)

**UNIQUE FEATURES**

A family SPA bath Katalina will perform well indoors as well as outdoors. The water in the bath, similarly to the swimming pools, is heated, filtered and disinfected. The bath is equipped with the function of automatic ozone supply, so that you can enjoy a multiple relaxing hydro-massage bath without the necessity of water exchange.

An additional advantage of the bath is the *anti-frost* system which protects the water from freezing. It forces heated water flow in the bath piping once the water temperature falls below 6°C.

**TECHNICAL DRAWING**



**EQUIPMENT ELEMENTS:**

- 25 nozzles
- a unit of 100 air ducts
- electronic control
- air and water massage function
- 2-gear water massage pump
- air supported water massage
- air fan with a heater
- 3 kW or 6 kW electric heater (to choose from)
- ozone generator or UV lamp (to choose from)
- water temperature control
- *anti-frost* system
- replaceable skimming telescoping filter
- underwater LED illumination, white or coloured (to choose from)

Various colours of acrylic available.

All the elements of the equipment are installed in the bath's casing.

**CASING:**

- 4-piece wooden casing - mahogany or pinewood (to choose from)
- wood-like casing in mahogany or grey colour (to choose from)

**ACCESSORIES:**

- wooden steps, mahogany or pinewood (to choose from)
- thermal cover in grey or brown colour (to choose from)
- a thermal cover lift (on request)
- 3 headrests

The measurements in the technical drawing are given in millimetres.



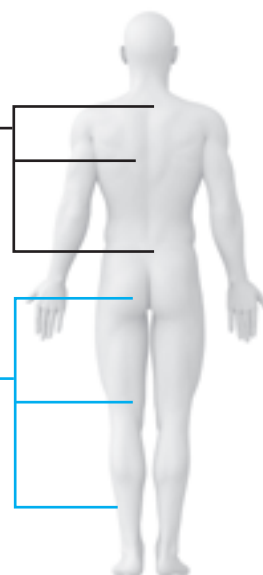
Katalina SPA

# How does SPA affect our health and our physical and mental state?



### Upper parts of the body (back)

Both, the directional and regular nozzles used for a hydro-massage soothe muscular cramps and reduce muscles tension as well as relieve suffering from spine or backaches. Additionally, they stimulate blood circulation and help to purify the body.



### Lower parts (buttocks, legs, feet)

Water bubbles and streams produced by the hydro-massage nozzles and 75 air ducts, together with the ozone nozzle improve the skin texture, help to get rid of cellulitis and shape the gluteus muscles.

# Get familiar with the unique functions of your SPA bath!



### Air flow adjuster for the hydro-massage nozzles

A massage with subtle or strong sensations? The choice is yours.

### Air ducts for a bubbling bath

Millions of air bubbles coming out from the bath's perforated bottom will gently massage your body.

### Comfortable headrests

Get relaxed in the most comfortable position.

### Underwater LED illumination, white or coloured (options)

Create a unique atmosphere and experience the benefits of the bath in the light!

### Hydro-massage nozzles

Let the favourable water massage do the job.

### Places formed for cups or glasses to be put there

Your bathing session can be accompanied by your favourite drink.

### Water filtering system

Water is filtered in the closed cycle which allows to reduce its use and maintain appropriate hygiene level.

### An electronic control panel

A comfortable adjuster of your bath parameters and hydro-massage functions is just at hand.

### Massage zone adjuster

Direct the hydro-massage streams anywhere you wish.

# Laguna SPA 213 x 213 cm

Size: 213 x 213 cm  
 Height: 94 cm +/- 2 cm  
 Depth: 82 cm  
 Capacity: 1100 l

**THE BATH IS DESIGNED FOR 5 PEOPLE**

**NUMBER OF NOZZLES: 29**

**TYPES OF NOZZLES:**

- regular mini-nozzles - 14
- regular pulsating mini-nozzles - 2
- ozone mini-nozzle - 1
- big regular directional nozzles - 6
- big swirling nozzles - 5
- Swirl nozzle - 1
- a unit of 69 air ducts
- 98 massage points

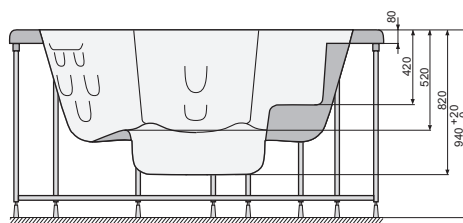
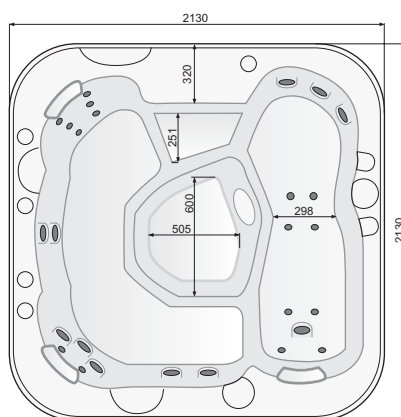
**REQUIRED POWER SUPPLY:**

- 3N 400 V AC, 50 Hz
- 3N 400 V AC, 50 Hz (heater 6 kW)

**UNIQUE FEATURES**

Laguna SPA is one of the biggest models of the portable SPA baths offering a hydro-massage function. It can be used by 5 people simultaneously. Thanks to the nozzles diversity (combination of 7 types) and a cascade, its users are able to enjoy a complete pleasure of a variety of a hydro-massage bath.

**TECHNICAL DRAWING**



**EQUIPMENT ELEMENTS:**

- 29 nozzles
- a unit of 69 air ducts
- electronic control
- air and water massage function
- 2 water massage pumps
- air supported water massage
- air fan with a heater
- 3 kW or 6 kW electric heater (to choose from)
- ozone generator or UV lamp (to choose from)
- water temperature control
- anti-frost system
- replaceable skimming telescoping filter
- underwater LED illumination, white or coloured (to choose from)

Various colours of acrylic available.

All the elements of the equipment are installed in the bath's casing.

**CASING:**

- 4-piece wooden casing - mahogany or pinewood (to choose from)
- wood-like casing in mahogany or grey colour (to choose from)

**ACCESSORIES:**

- wooden steps, mahogany or pinewood (to choose from)
- thermal cover in grey or brown colour (to choose from)
- a thermal cover lift (on request)
- 3 headrests

The measurements in the technical drawing are given in millimetres.



Laguna SPA

# How does SPA affect our health and our physical and mental state?

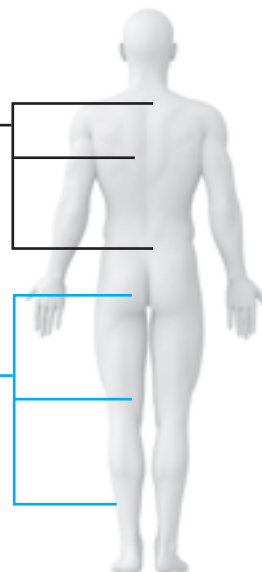


## Upper parts of the body (back)

The nozzles used for a hydro-massage soothe muscular cramps and reduce muscles tension as well as relieve suffering from spine or backaches. Additionally, they stimulate blood circulation and help to purify the body.

## Lower parts (buttocks, legs, feet)

Water bubbles and streams produced by the hydro-massage nozzles and air ducts, together with the ozone nozzle improve the skin texture, help to get rid of cellulitis and shape the gluteus muscles. The Swirl nozzle, in particular is responsible for feet giving them a gentle massage.



# Get familiar with the unique functions of your SPA bath!



### A cascade

A cascade with a regulated water flow will relax your neck muscles and make you feel like being in the bosom of nature.

### Places formed for cups or glasses to be put there

Your bathing session can be accompanied by your favourite drink.

### Massage zone adjuster

Direct the hydro-massage streams anywhere you wish.

### Water filtering system

Water is filtered in the closed cycle which allows to reduce its use and maintain appropriate hygiene level.

### Underwater LED illumination, white or coloured (options)

Create a unique atmosphere and experience the benefits of the bath in the light!

### Hydro-massage nozzles

Let the favourable water massage do the job.

### Comfortable headrests

Get relaxed in the most comfortable position.

### Air ducts for a bubbling bath

Millions of air bubbles coming out from the bath's perforated bottom will gently massage your body.

### Swirl nozzle

A rotary movement of the water stream provides your feet with a gentle massage.

### Air flow adjuster for the hydro-massage nozzles

A massage with subtle or strong sensations? The choice is yours.

### An electronic control panel

A comfortable adjuster of your bath parameters and hydro-massage functions is just at hand.

# Waterspace SPA 220 x 230 cm

Size: 220 x 230 cm  
 Height: 115 cm +/- 2 cm  
 Depth: 91 cm  
 Capacity: 1750 l

**THE BATH IS DESIGNED FOR 7 PEOPLE**

**NUMBER OF NOZZLES:** 67

**TYPES OF NOZZLES:**

- regular mini-nozzles – 46
- ozone mini-nozzle – 1
- big regular directional nozzles – 10
- GYRO type big regular directional nozzles – 2
- big rotary nozzles – 7
- Master nozzle – 1

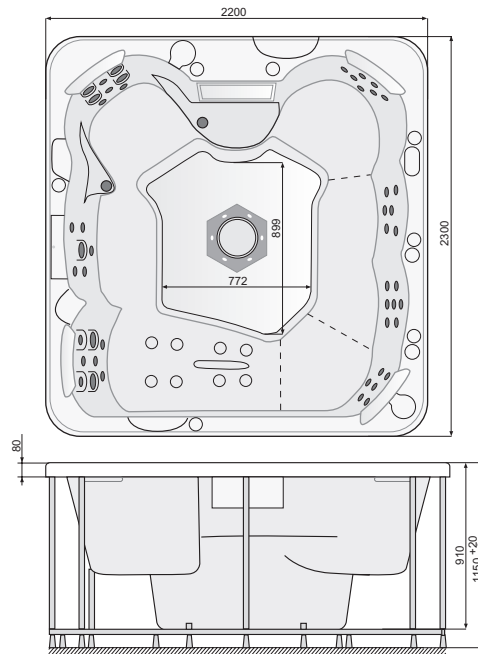
**REQUIRED POWER SUPPLY:**

- 3N 400 V AC, 50 Hz
- 3N 400 V AC, 50 Hz (heater 6 kW)

**UNIQUE FEATURES**

Waterspace SPA bath is the biggest model in the POOLSPA offer – it gives the opportunity for 7 people to enjoy the pleasures of a relaxing bath simultaneously. 12 types of nozzles together with the cascade are responsible for a variety of sensations. An additional advantage of the bath is the *anti-frost* system which protects the water from freezing. It forces heated water flow in the bath piping once the water temperature falls below 6°C.

**TECHNICAL DRAWING**



**EQUIPMENT ELEMENTS:**

- 67 nozzles
- electronic control
- water massage
- 3 water massage pumps
- air supported water massage
- 3 kW or 6 kW electric heater (to choose from)
- ozone generator or UV lamp (to choose from)
- water temperature control
- *anti-frost* system
- replaceable skimming telescoping filter
- underwater LED illumination, white or coloured (to choose from)

Various colours of acrylic available.  
 All the elements of the equipment are installed in the bath's casing.

**CASING:**

- 4-piece wooden casing – mahogany or pinewood (to choose from)
- wood-like casing in mahogany or grey colour (to choose from)

**ACCESSORIES:**

- wooden steps, mahogany or pinewood (to choose from)
- thermal cover in grey or brown colour (to choose from)
- a thermal cover lift (on request)
- an audio set (on request)
- 4 headrests

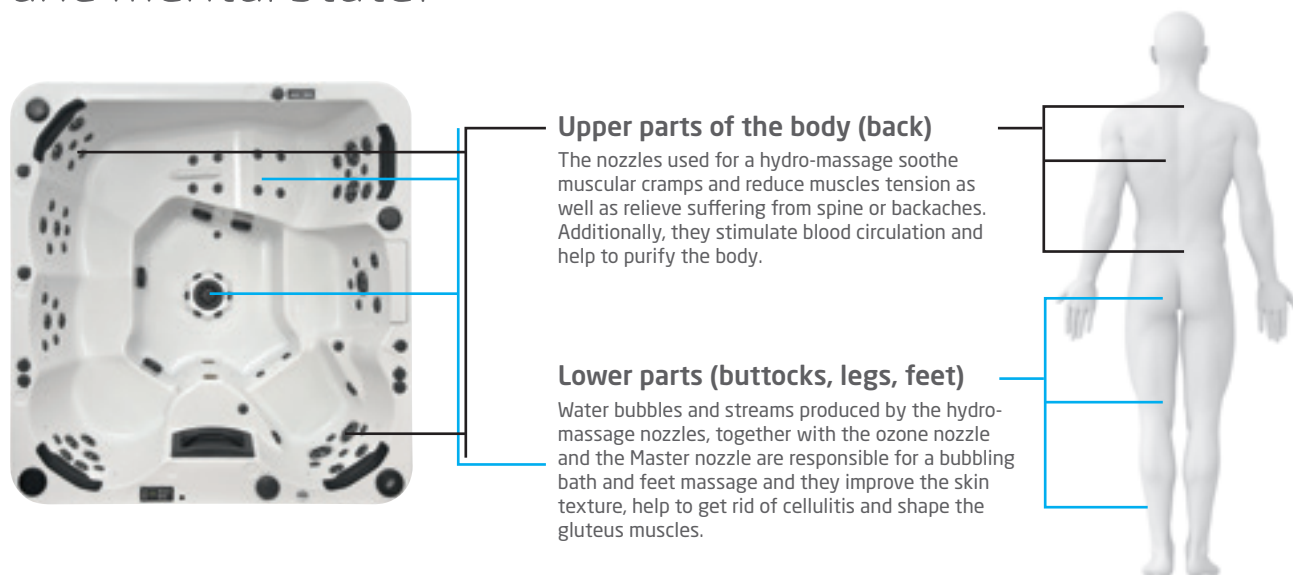
The measurements in the technical drawing are given in millimetres.



Waterspace SPA



# How does SPA affect our health and our physical and mental state?



**Upper parts of the body (back)**  
The nozzles used for a hydro-massage soothe muscular cramps and reduce muscles tension as well as relieve suffering from spine or backaches. Additionally, they stimulate blood circulation and help to purify the body.

**Lower parts (buttocks, legs, feet)**  
Water bubbles and streams produced by the hydro-massage nozzles, together with the ozone nozzle and the Master nozzle are responsible for a bubbling bath and feet massage and they improve the skin texture, help to get rid of cellulitis and shape the gluteus muscles.

# Get familiar with the unique functions of your SPA bath!



**Massage zone adjuster**  
Direct the hydro-massage streams anywhere you wish.

**Places formed for cups or glasses to be put there**  
Your bathing session can be accompanied by your favourite drink.

**Master nozzle**  
Feel millions of air bubbles while enjoying your bubbling bath and make your feet experience a gentle massage.

**Air flow adjuster for the hydro-massage nozzles**  
A massage with subtle or strong sensations? The choice is yours.

**Water filtering system**  
Water is filtered in the closed cycle which allows to reduce its use and maintain appropriate hygiene level.

**An audio set**  
Let your bath be accompanied by the sounds of your favourite music!

**Hydro-massage nozzles**  
Let the favourable water massage do the job.

**Comfortable headrests**  
Get relaxed in the most comfortable position.

**A cascade**  
A cascade with a regulated water flow will relax your neck muscles and make you feel like being in the bosom of nature.

**Underwater LED illumination, white or coloured (options)**  
Create a unique atmosphere and experience the benefits of the bath in the light!

**An electronic control panel**  
A comfortable adjuster of your bath parameters and hydro-massage functions is just at hand.

# Victoria SPA Ø 177 cm

Size: Ø 177 cm  
 Height: 93 cm +/- 2 cm  
 Depth: 73 cm  
 Capacity: 800 l

THE BATH IS DESIGNED FOR 4 PEOPLE

NUMBER OF NOZZLES: 25

**TYPES OF NOZZLES:**

- regular mini-nozzles - 16
- ozone mini-nozzle - 1
- big regular directional nozzles - 2
- big rotary nozzles - 6
- a unit of 94 air ducts
- 119 massage points

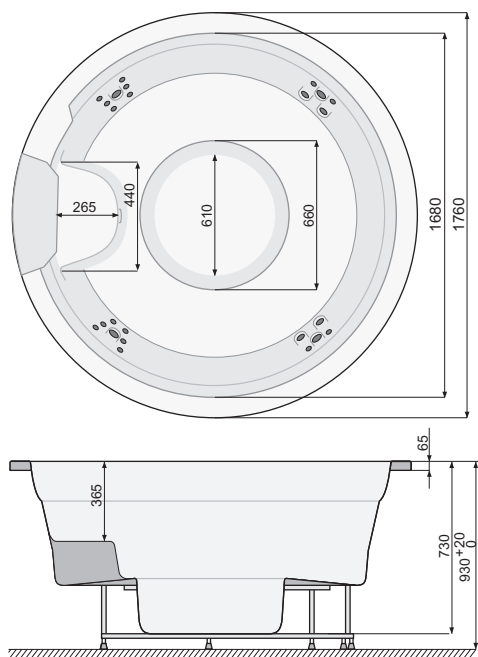
**REQUIRED POWER SUPPLY:**

- 230 V, AC 50 Hz (heater 3 kW)
- 3N 400 V AC, 50 Hz (heater 6 kW)

**UNIQUE FEATURES**

Victoria SPA bath stands out from other baths mainly due to its characteristic round shape thanks to which it can be easily adopted not only to the interior of a relatively big bathroom, but also to the natural garden environment. An additional advantage of the bath is the *anti-frost* system which protects the water from freezing. It forces heated water flow in the bath piping once the water temperature falls below 6°C.

**TECHNICAL DRAWING**



**EQUIPMENT ELEMENTS:**

- 25 nozzles
- electronic control
- water and air massage function
- water massage pump
- air supported water massage
- 3 kW or 6 kW electric heater (to choose from)
- ozone generator or UV lamp (to choose from)
- water temperature control
- *anti-frost* system
- replaceable skimming telescoping filter
- underwater LED illumination, white or coloured (to choose from)

Various colours of acrylic available.

All the elements of the equipment are installed in the bath's casing.

**CASING:**

- 4-piece wooden casing - mahogany or pinewood (to choose from)
- wood-like casing in mahogany or grey colour (to choose from)

**ACCESSORIES:**

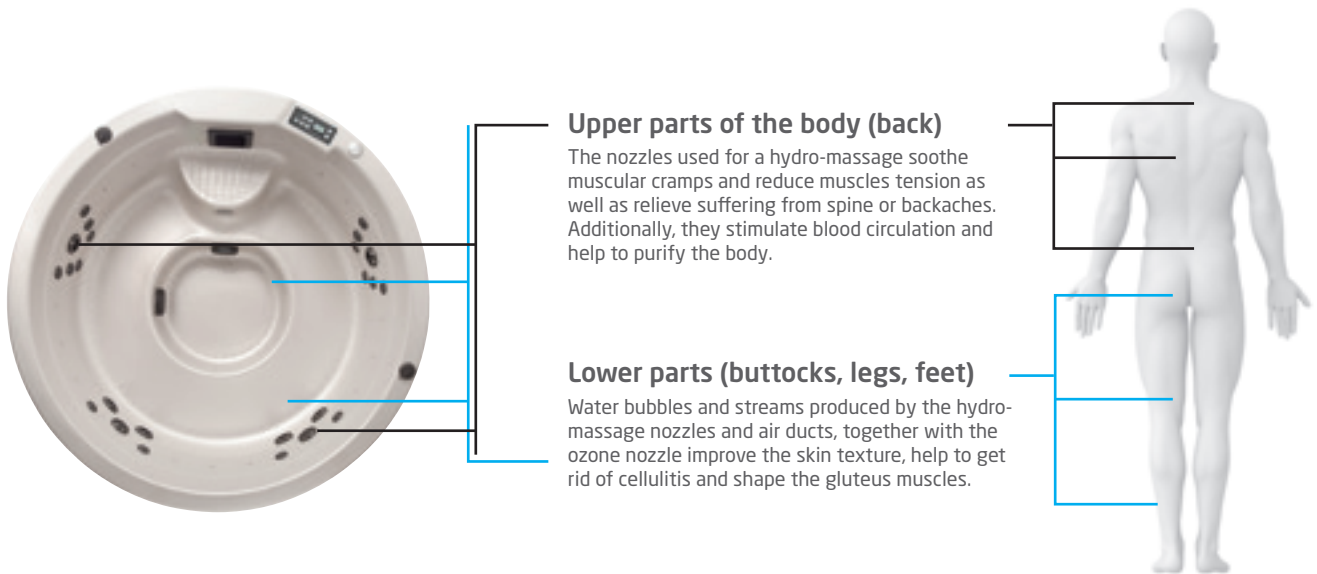
- wooden steps, mahogany or pinewood (to choose from)
- thermal cover in grey or brown colour (to choose from)

The measurements in the technical drawing are given in millimetres.



Victoria SPA

# How does SPA affect our health and our physical and mental state?



# Get familiar with the unique functions of your SPA bath!



# Victoria SPA Ø 249 cm

Size: Ø 249 cm  
 Height: 107 cm +/- 1 cm  
 Depth: 86,5 cm  
 Capacity: 1100 l

**THE BATH IS DESIGNED FOR 4 PEOPLE**

**NUMBER OF NOZZLES:** 25

**TYPES OF NOZZLES:**

- regular mini-nozzles – 16
- ozone mini-nozzle – 1
- big regular directional nozzles – 2
- big rotary nozzles – 6
- a unit of 94 air ducts
- 119 massage points

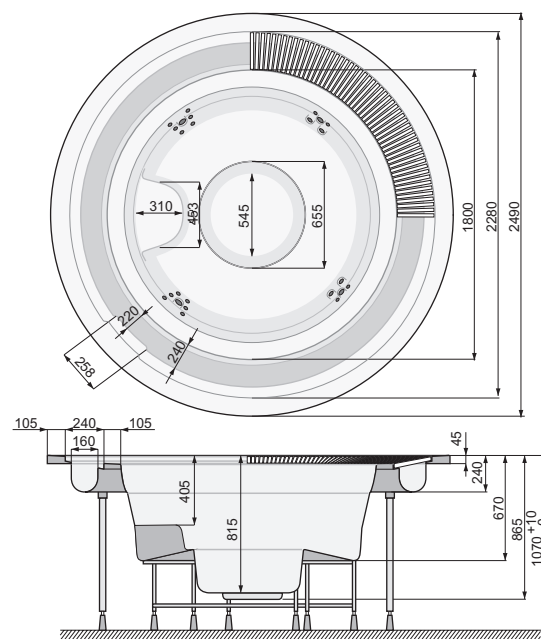
**REQUIRED POWER SUPPLY:**

- 230 V AC 50 Hz (heater 3 kW)
- 3N 400 V AC, 50Hz (heater 6 kW)

**UNIQUE FEATURES**

Victoria SPA bath, a novelty in the POOLSPA offer, is the first model of this type in which an overflow drainpipe and a sand filter have been used. Thanks to the drainpipe the excess water is transported to the built-in equalizing tank through the grate located in the bath edge. Due to its round shape the bath can be easily adopted to the environment.

**TECHNICAL DRAWING**



**EQUIPMENT ELEMENTS:**

- 25 nozzles
- electronic control
- water and air massage function
- water massage pump
- filtering pump
- built-in equalizing tanks
- air supported water massage
- 3 kW or 6 kW electric heater (to choose from)
- air fan with a heater
- ozone generator or UV lamp (to choose from)
- water temperature control
- anti-frost system
- sand filter
- multi-spot underwater LED illumination

Various colours of acrylic available.  
 All the elements of the equipment are installed in the bath's casing.

**CASING:**

- 4-piece wooden casing – mahogany or pinewood (to choose from)
- wood-like casing in mahogany or grey colour (to choose from)

**ACCESSORIES:**

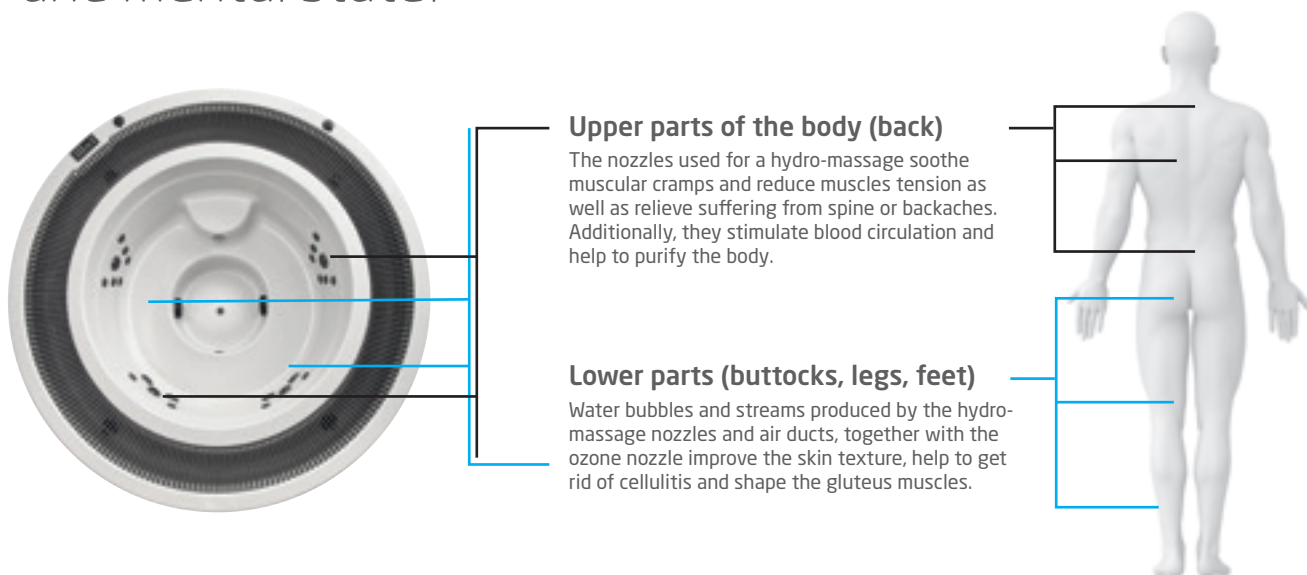
- wooden steps, mahogany or pinewood (to choose from)
- thermal cover in grey or brown colour (to choose from)

The measurements in the technical drawing are given in millimetres.

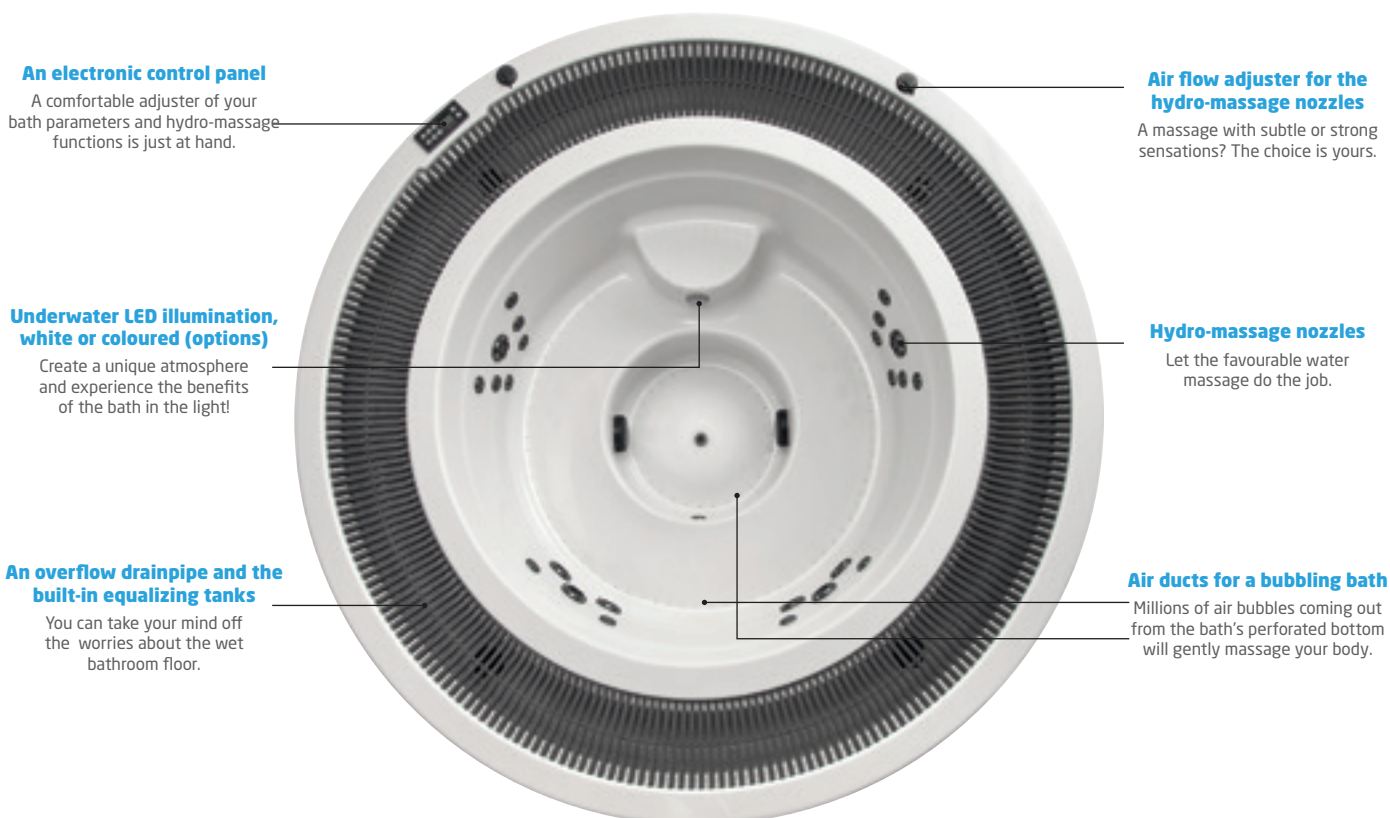


Victoria SPA

# How does SPA affect our health and our physical and mental state?



# Get familiar with the unique functions of your SPA bath!

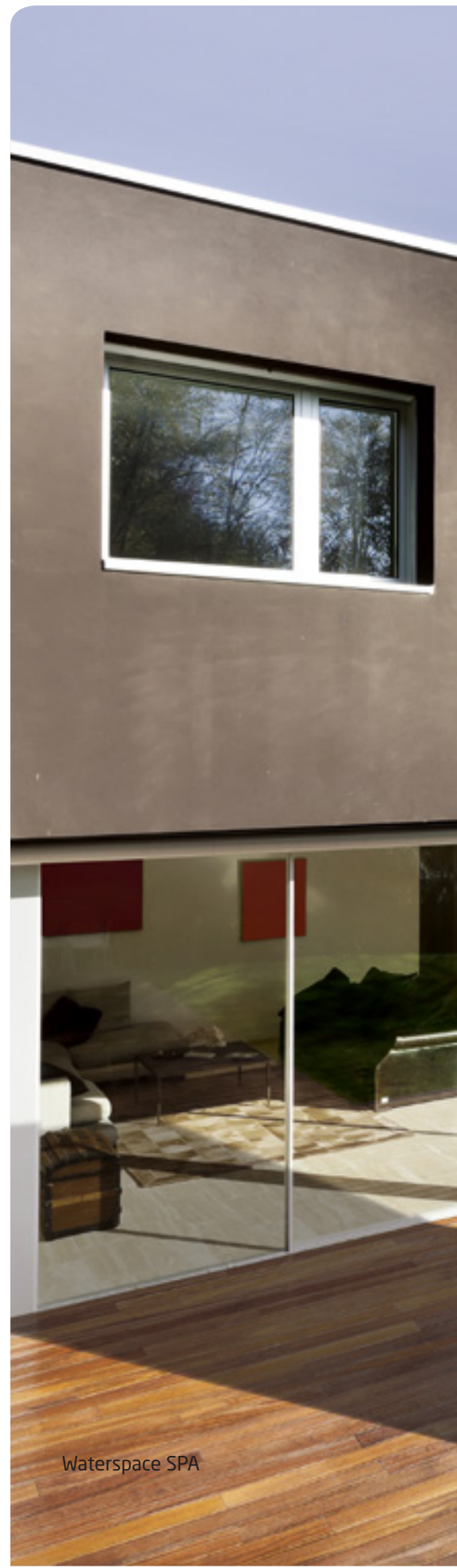


# Stationary SPA baths Evolution line

New

22

Do you really want your private SPA to be exceptional? Evolution line, setting new standards all over Europe, has been created especially for people like you! The latest innovative technology makes you able to enjoy the relaxing bath, arranged for you by the variety of hydro-massage nozzles, in peace and quiet. Additionally, the new solution guarantees the maximum possible level of hygiene and comfort. This unique combination of innovation and design will be ready to put you into an excellent mood whenever and wherever you wish.



Waterspace SPA



# Katalina SPA 193 x 193 cm Evolution line

Size: 193 x 193 cm  
 Height: 86 cm +/- 2 cm  
 Depth: 75 cm  
 Capacity: 880 l

**THE BATH IS DESIGNED FOR 4 PEOPLE**

**NUMBER OF NOZZLES: 24**

**TYPES OF NOZZLES:**

- regular mini-nozzles - 16
- directional mini-nozzle - 1
- big regular directional nozzles - 5
- big rotary nozzles - 2
- a unit of 75 air ducts
- 99 massage points

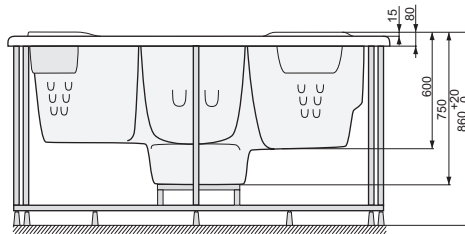
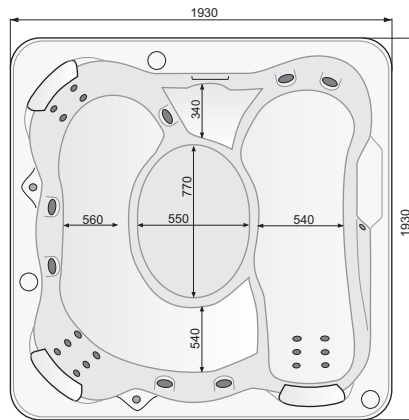
**REQUIRED POWER SUPPLY:**

- 3N 400 V AC, 50 Hz

**UNIQUE FEATURES**

A family SPA bath KATALINA, with ergonomically designed seats, is the hybrid model. The bath's external equipment elements can be installed in a different room than a bath itself (e.g. basement). Thanks to such solution you don't hear the noise produced by working pump. The bath has been equipped with special devices responsible for water disinfection, filtering and heating therefore there is no need to exchange water after each bathing session (just like in the swimming pool). An additional advantage of the bath is the *anti-frost* system which protects the water from freezing. It forces heated water flow in the bath piping once the water temperature falls below 6°C.

**TECHNICAL DRAWING**



**EQUIPMENT ELEMENTS:**

- 24 nozzles
- electronic control
- air and water massage function
- water massage pump
- filtering pump with the casing
- air supported water massage
- 3 kW or 6 kW electric heater (to choose from)
- air fan with a heater
- UV lamp
- water temperature control
- *anti-frost* system
- replaceable skimming filter
- sand filter
- underwater LED illumination, white or coloured (to choose from).

Various colours of acrylic available. Equipment elements are installed on the pallet of the size 1200 x 1300 mm.

**CASING:**

- 4-piece wooden casing - mahogany or pinewood (to choose from)
- wood-like casing in mahogany or grey colour (to choose from)

**ACCESSORIES:**

- wooden steps, mahogany or pinewood (to choose from)
- thermal cover in grey or brown colour (to choose from)
- a thermal cover lift (on request)
- 3 headrests

The measurements in the technical drawing are given in millimetres.





# How does SPA affect our health and our physical and mental state?

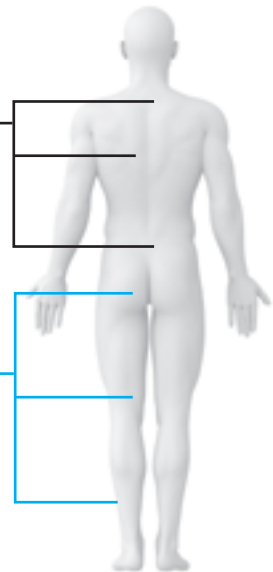


## Upper parts of the body (back)

The nozzles used for a hydro-massage soothe muscular cramps and reduce muscles tension as well as relieve suffering from spine or backaches. Additionally, they stimulate blood circulation and help to purify the body.

## Lower parts (buttocks, legs, feet)

Water bubbles and streams produced by the hydro-massage nozzles and air ducts improve the skin texture, help to get rid of cellulitis and shape the gluteus muscles.



# Get familiar with the unique functions of your SPA bath!

### Air flow adjuster for the hydro-massage nozzles

A massage with subtle or strong sensations? The choice is yours.

### Air ducts for a bubbling bath

Millions of air bubbles coming out from the bath's perforated bottom will gently massage your body.

### Comfortable headrests

Get relaxed in the most comfortable position.

### Underwater LED illumination, white or coloured (options)

Create a unique atmosphere and experience the benefits of the bath in the light!



### Hydro-massage nozzles

Let the favourable water massage do the job.

### Places formed for cups or glasses to be put there

Your bathing session can be accompanied by your favourite drink.

### Water filtering system

Water is filtered in the closed cycle which allows to reduce its use and maintain appropriate hygiene level.

### An electronic control panel

A comfortable adjuster of your bath parameters and hydro-massage functions is just at hand.

### Massage zone adjuster

Direct the hydro-massage streams anywhere you wish.

# Laguna SPA 213 x 213 cm Evolution line

Size: 213 x 213 cm  
 Height: 94 cm +/- 2 cm  
 Depth: 82 cm  
 Capacity: 1100 l

**THE BATH IS DESIGNED FOR 5 PEOPLE**

**NUMBER OF NOZZLES: 28**

**TYPES OF NOZZLES:**

- regular mini-nozzles - 14
- regular pulsating mini-nozzles - 2
- big regular directional nozzles - 6
- big swirling nozzles - 5
- Swirl nozzle - 1
- a unit of 69 air ducts
- 97 massage points

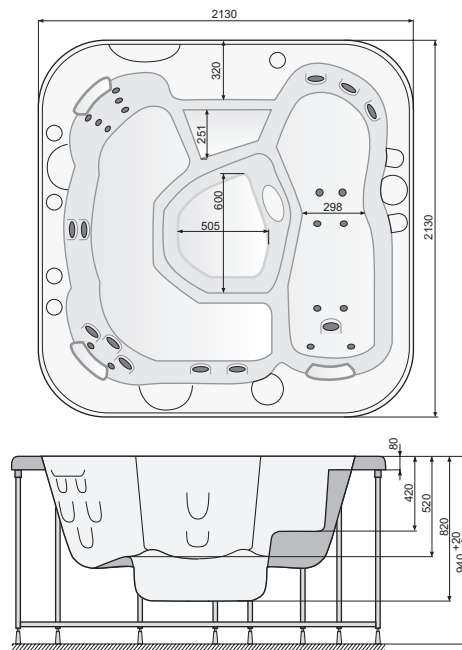
**REQUIRED POWER SUPPLY:**

- 3N 400 V AC, 50 Hz

**UNIQUE FEATURES**

The advantages of a Laguna SPA bath Evolution line are not only its big size and comfortable seats, but also diverse combination of the massage strength (5 types of various nozzles and a cascade are installed in the bath) and its silent working mode due to the possibility of locating the bath's equipment elements in a different room, and also the use of a sand filter. An additional advantage of the bath is the *anti-frost* system which protects the water from freezing. It forces heated water flow in the bath piping once the water temperature falls below 5°C.

**TECHNICAL DRAWING**



**EQUIPMENT ELEMENTS:**

- 28 nozzles
- a unit of 69 air ducts
- electronic control
- air and water massage function
- 2 water massage pumps
- filtering pump with the casing
- air supported water massage
- air fan with a heater
- 3 kW or 6 kW electric heater (to choose from)
- UV lamp
- water temperature control
- *anti-frost* system
- replaceable skimming filter
- sand filter
- underwater LED illumination, white or coloured (to choose from)

Various colours of acrylic available. Equipment elements are installed on the pallet of the size 1300 x 1400 mm.

**CASING:**

- 4-piece wooden casing - mahogany or pinewood (to choose from)
- wood-like casing in mahogany or grey colour (to choose from)

**ACCESSORIES:**

- wooden steps, mahogany or pinewood (to choose from)
- thermal cover in grey or brown colour (to choose from)
- a thermal cover lift (on request)
- 3 headrests

The measurements in the technical drawing are given in millimetres.



# How does SPA affect our health and our physical and mental state?

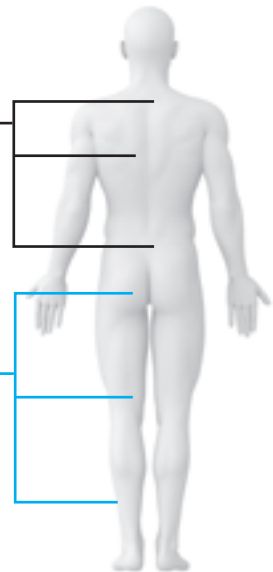


## Upper parts of the body (back)

The nozzles used for a hydro-massage soothe muscular cramps and reduce muscles tension as well as relieve suffering from spine or backaches. Additionally, they stimulate blood circulation and help to purify the body.

## Lower parts (buttocks, legs, feet)

Water bubbles and streams produced by the hydro-massage nozzles and air ducts, together with the ozone nozzle improve the skin texture, help to get rid of cellulitis and shape the gluteus muscles. The Swirl nozzle, in particular, is responsible for feet and gives them a gentle massage.



# Get familiar with the unique functions of your SPA bath!

### A cascade

A cascade with a regulated water flow will relax your neck muscles and make you feel like being in the bosom of nature.

### Places formed for cups or glasses to be put there

Your bathing session can be accompanied by your favourite drink.

### Massage zone adjuster

Direct the hydro-massage streams anywhere you wish.

### Water filtering system

Water is filtered in the closed cycle which allows to reduce its use and maintain appropriate hygiene level.

### Underwater LED illumination, white or coloured (options)

Create a unique atmosphere and experience the benefits of the bath in the light!



### Hydro-massage nozzles

Let the favourable water massage do the job.

### Comfortable headrests

Get relaxed in the most comfortable position.

### Air ducts for a bubbling bath

Millions of air bubbles coming out from the bath's perforated bottom will gently massage your body.

### The Swirl nozzle

A rotary movement of the water stream provides your feet with a gentle massage

### Air flow adjuster for the hydro-massage nozzles

A massage with subtle or strong sensations? The choice is yours.

### An electronic control panel

A comfortable adjuster of your bath parameters and hydro-massage functions is just at hand.

# Waterspace SPA 220 x 230 cm Evolution line

Size: 220 x 230 cm  
 Height: 115 cm +/- 2 cm  
 Depth: 91 cm  
 Capacity: 1750 l

**THE BATH IS DESIGNED FOR 7 PEOPLE**

**NUMBER OF NOZZLES: 66**

**TYPES OF NOZZLES:**

- regular mini-nozzles - 46
- big regular directional nozzles - 10
- GYRO type big regular directional nozzles - 2
- big rotary nozzles - 7,
- Master nozzle - 1
- 66 massage points

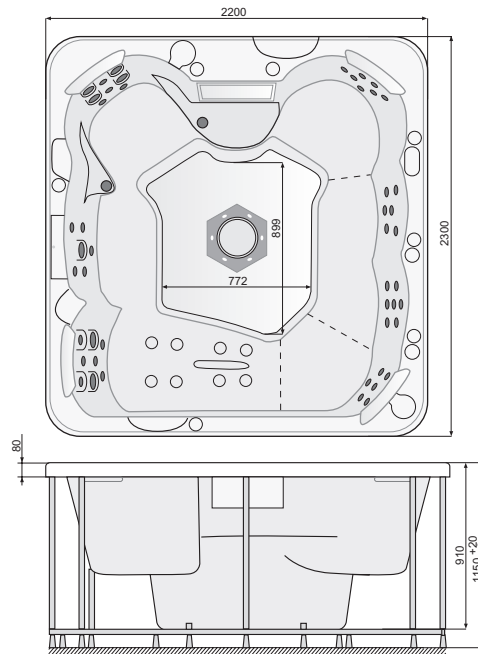
**REQUIRED POWER SUPPLY:**

- 3N 400 V AC, 50 Hz

**UNIQUE FEATURES**

The biggest hybrid bath offered by POOLSPA can be used by 7 people simultaneously. While taking a relaxing massage of different strength provided by 12 types of nozzles, the bath's users can also listen to music thanks to the audio set installed in the bath. One of the advantages of the bath is its construction - the engine room has been installed on a separate pallet and additional water filtering system has been applied. An additional advantage of the bath is the *anti-frost* system which protects the water from freezing. It forces heated water flow in the bath piping once the water temperature falls below 6°C.

**TECHNICAL DRAWING**



**EQUIPMENT ELEMENTS:**

- 66 nozzles
- electronic control
- water massage function
- filtering pump with the casing
- 3 water massage pumps
- air supported water massage
- 3 kW or 6 kW electric heater (to choose from)
- UV lamp
- water temperature control
- *anti-frost* system
- replaceable skimming filter
- sand filter
- underwater LED illumination, white or coloured (to choose from)

Various colours of acrylic available. Equipment elements are installed on the pallet of the size 1400 x 1500 mm.

**CASING:**

- 4-piece wooden casing - mahogany or pinewood (to choose from)
- wood-like casing in mahogany or grey colour (to choose from)

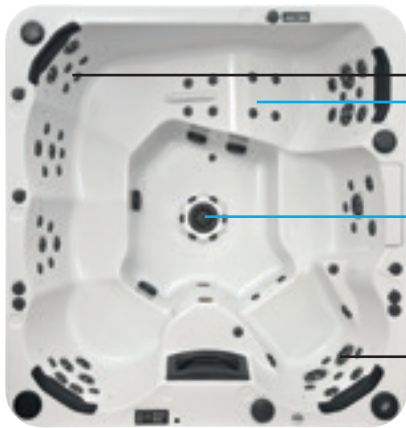
**ACCESSORIES:**

- wooden steps, mahogany or pinewood (to choose from)
- thermal cover in grey or brown colour (to choose from)
- a thermal cover lift (on request)
- an audio set (on request)
- 4 headrests

The measurements in the technical drawing are given in millimetres.



# How does SPA affect our health and our physical and mental state?

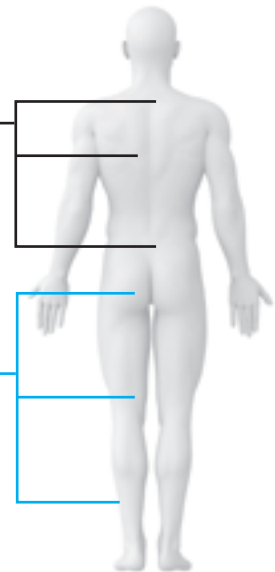


## Upper parts of the body (back)

The nozzles used for a hydro-massage soothe muscular cramps and reduce muscles tension as well as relieve suffering from spine or backaches. Additionally, they stimulate blood circulation and help to purify the body.

## Lower parts (buttocks, legs, feet)

Water bubbles and streams produced by the hydro-massage nozzles and air ducts, together with the Master nozzle are responsible for a bubbling bath and feet massage. They improve the skin texture, help to get rid of cellulitis and shape the gluteus muscles.



# Get familiar with the unique functions of your SPA bath!

## Massage zone adjuster

Direct the hydro-massage streams anywhere you wish.

## Places formed for cups or glasses to be put there

Your bathing session can be accompanied by your favourite drink.

## Master nozzle

Feel millions of air bubbles while enjoying your bubbling bath and make your feet experience a gentle massage.

## Air flow adjuster for the hydro-massage nozzles

A massage with subtle or strong sensations? The choice is yours.

## Water filtering system

Water is filtered in the closed cycle which allows to reduce its use and maintain appropriate hygiene level.

## An audio set

Let your bath be accompanied by the sounds of your favourite music!



## Hydro-massage nozzles

Let the favourable water massage do the job.

## Comfortable headrests

Get relaxed in the most comfortable position.

## A cascade

A cascade with a regulated water flow will relax your neck muscles and make you feel like being in the bosom of nature.

## Underwater LED illumination, white or coloured (options)

Create a unique atmosphere and experience the benefits of the bath in the light!

## An electronic control panel

A comfortable adjuster of your bath parameters and hydro-massage functions is just at hand.

# Victoria SPA Ø 177 cm Evolution line

Size: Ø 177 cm  
 Height: 93 cm +/- 2 cm  
 Depth: 73 cm  
 Capacity: 800 l

**THE BATH IS DESIGNED FOR 4 PEOPLE**

**NUMBER OF NOZZLES: 24**

**TYPES OF NOZZLES:**

- regular mini-nozzles - 16
- big regular directional nozzles - 2
- big rotary nozzles - 6
- a unit of 94 air ducts
- 118 massage points

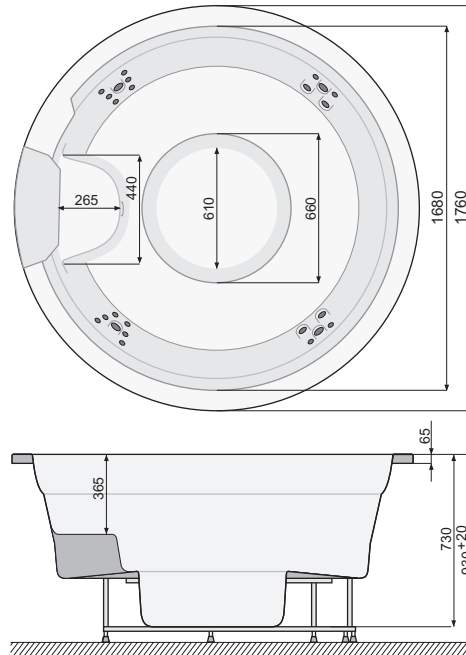
**REQUIRED POWER SUPPLY:**

- 3N 400 V AC, 50 Hz

**UNIQUE FEATURES**

Victoria SPA bath stands out from other baths not only due to its characteristic round shape and a set of nozzles ensuring diverse relaxing massage, but also due to its construction. With its engine room installed outside the bath's casing and a sand filter it allows to enjoy the bath without any disturbances.

**TECHNICAL DRAWING**



**EQUIPMENT ELEMENTS:**

- 24 nozzles
- electronic control
- air and water massage function
- water massage pump
- filtering pump with the casing
- air supported water massage
- air fan with a heater
- 3 kW or 6 kW electric heater (to choose from)
- UV lamp
- water temperature control
- anti-frost system
- replaceable skimming filter
- sand filter
- underwater LED illumination, white or coloured (to choose from)

Various colours of acrylic available. Equipment elements are installed on the pallet of the size 1200 x 1300 mm.

**CASING:**

- 4-piece wooden casing - mahogany or pinewood (to choose from)
- wood-like casing in mahogany or grey colour (to choose from)

**ACCESSORIES:**

- wooden steps, mahogany or pinewood (to choose from)
- thermal cover in grey or brown colour (to choose from)

The measurements in the technical drawing are given in millimetres.



# How does SPA affect our health and our physical and mental state?

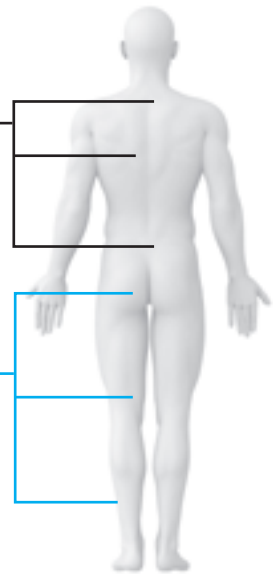


## Upper parts of the body (back)

The nozzles used for a hydro-massage soothe muscular cramps and reduce muscles tension as well as relieve suffering from spine or backaches. Additionally, they stimulate blood circulation and help to purify the body.

## Lower parts (buttocks, legs, feet)

Water bubbles and streams produced by the hydro-massage nozzles and air ducts improve the skin texture, help to get rid of cellulitis and shape the gluteus muscles.



# Get familiar with the unique functions of your SPA bath!

### Water filtering system

Water is filtered in the closed cycle which allows to reduce its use and maintain appropriate hygiene level.

### An electronic control panel

A comfortable adjuster of your bath parameters and hydro-massage functions is just at hand.

### Air ducts for a bubbling bath

Millions of air bubbles coming out from the bath's perforated bottom will gently massage your body.

### Air flow adjuster for the hydro-massage nozzles

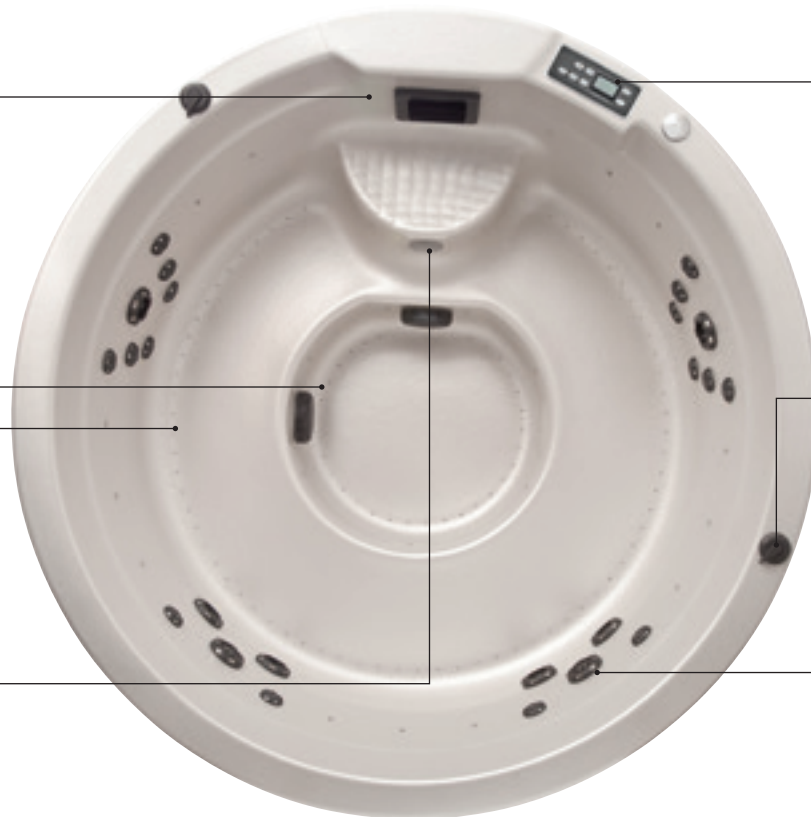
A massage with subtle or strong sensations? The choice is yours.

### Underwater LED illumination, white or coloured (options)

Create a unique atmosphere and experience the benefits of the bath in the light!

### Hydro-massage nozzles

Let the favourable water massage do the job.



# Victoria SPA Ø 249 cm Evolution line

Size: Ø 249 cm  
 Height: 107 cm +/- 1 cm  
 Depth: 86,5 cm  
 Capacity: 1100 l

**THE BATH IS DESIGNED FOR 4 PEOPLE**

**NUMBER OF NOZZLES: 24**

**TYPES OF NOZZLES:**

- regular mini-nozzles - 16
- big regular directional nozzles - 2
- big rotary nozzles - 6
- a unit of 94 air ducts
- 118 massage points

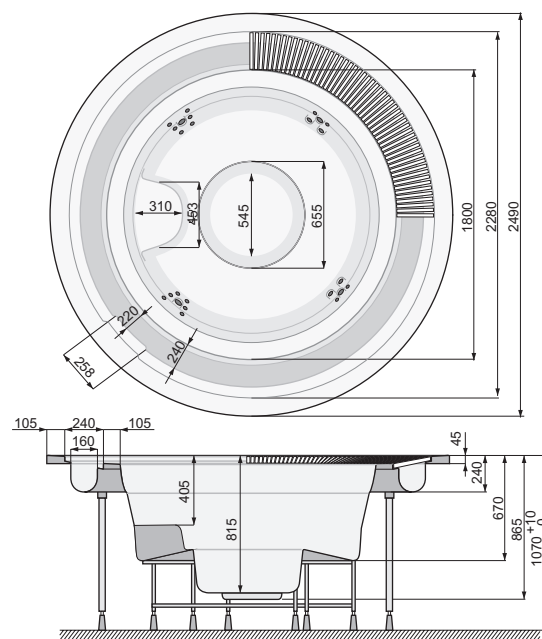
**REQUIRED POWER SUPPLY:**

- 3N 400 V AC, 50Hz

**UNIQUE FEATURES**

A round Victoria SPA bath, a novelty in the POOLSPA offer, is the first model of this type in which an overflow drainpipe and a sand filter have been used. Thanks to the drainpipe the excess water is transported to the built-in equalizing tank through the grate located in the bath's edge. Another innovative element is the location of its engine room outside the bath's casing.

**TECHNICAL DRAWING**



**EQUIPMENT ELEMENTS:**

- 24 nozzles
- electronic control
- air and water massage function
- water massage pump
- filtering pump with the casing
- air supported water massage,
- built-in equalizing tanks
- air fan with a heater
- electric heater
- UV lamp
- water temperature control
- anti-frost system
- sand filter
- multi-spot underwater LED illumination

Various colours of acrylic available.  
 Equipment elements are installed on the pallet of the size 1200 x 1300 mm.

**CASING:**

- 4-piece wooden casing - mahogany or pinewood (to choose from)
- wood-like casing in mahogany or grey colour (to choose from)

**ACCESSORIES:**

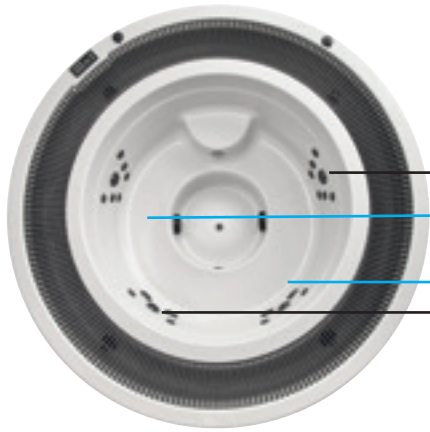
- wooden steps, mahogany or pinewood (to choose from)
- thermal cover in grey or brown colour (to choose from)

The measurements in the technical drawing are given in millimetres.





# How does SPA affect our health and our physical and mental state?

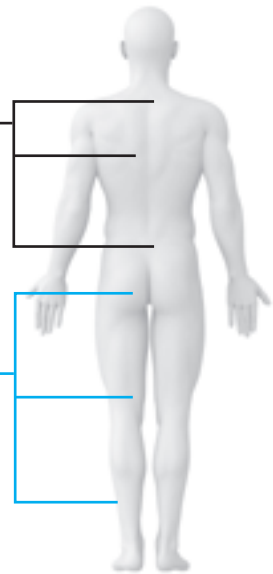


## Upper parts of the body (back)

The nozzles used for a hydro-massage soothe muscular cramps and reduce muscles tension as well as relieve suffering from spine or backaches. Additionally, they stimulate blood circulation and help to purify the body.

## Lower parts (buttocks, legs, feet)

Water bubbles and streams produced by the hydro-massage nozzles and air ducts improve the skin texture, help to get rid of cellulitis and shape the gluteus muscles.



# Get familiar with the unique functions of your SPA bath!

### An electronic control panel

A comfortable adjuster of your bath parameters and hydro-massage functions is just at hand.

### Air flow adjuster for the hydro-massage nozzles

A massage with subtle or strong sensations? The choice is yours.

### Underwater LED illumination, white or coloured (options)

Create a unique atmosphere and experience the benefits of the bath in the light!

### Hydro-massage nozzles

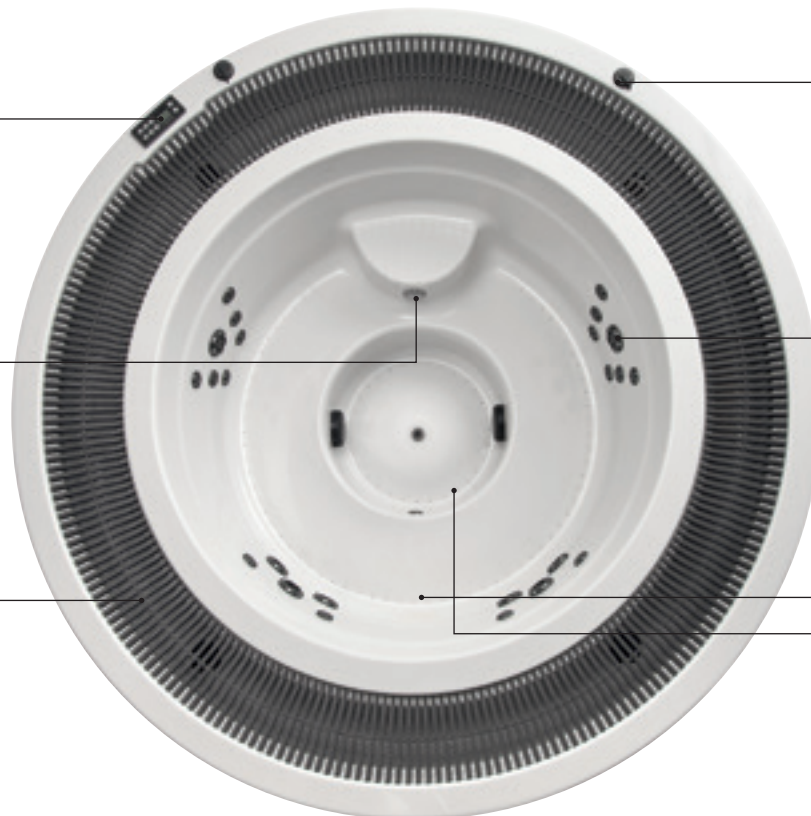
Let the favourable water massage do the job.

### An overflow drainpipe and the built-in equalizing tanks

You can take your mind off the worries about the wet bathroom floor.

### Air ducts for a bubbling bath

Millions of air bubbles coming out from the bath's perforated bottom will gently massage your body.

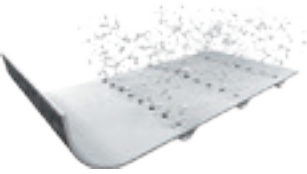


## How do hydro-massage devices work?



### Nozzles:

- **directional** – an intense body massage,
- **rotary** – a gentle body massage,
- **regular** – an intense massage of particular parts of the body,
- **pulsating-rotary** – intense and gentle massage,
- **swirling** – an intense massage to big parts of the body,
- **the Swirl** – a gentle massage to your feet,
- **the Master** – the effect of a bubbling bath and feet massage,
- **ozone** – water disinfection and a therapeutic effect.



**An air ducts unit** – responsible for a bubbling bath.

**A Cascade** – gives a massage to the neck muscles.

## Choose from a wide range of colours...

Get familiar with **a wide range of colours** we offer for the casings and for the acrylic.

### COLOURS OF THE CASING (A-F - recommended colours of the acrylic)



A, B, C, D

Mahogany-like plastic



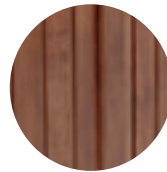
A, B, C

Pinewood



A, B, C, D

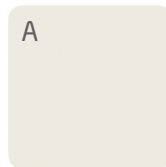
Grey plastic



A, B, C, D

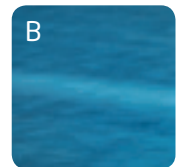
Mahogany

### COLOURS OF THE ACRYLIC



A

White perlescent



B

Ocean wave opal



C

Sierra



D

Starry night blue

## ...additionally illuminated in an excellent way!

Thanks to this underwater illumination your SPA can become even more romantic.



White spot  
LED light  
(standard)



Multi-coloured  
spot light  
(option)



Multi-spot coloured  
illumination LED - type,  
24 mini lenses (option)

## A bath and a massage under full control!

An electronic **control panel** shows:

- current and preset water temperature,
- the way particular water pumps work,
- the way an air massage fan works,
- alerts and extra information (e.g. the bath's filtering mode, quick filtering, the condition of underwater illumination).



## Accessories that perform well in every environment

The comfort of POOLSPA products is improved by optional accessories.

### WOODEN STEPS

In order to make the most of your SPA bath comfortable use, depending on its arrangement, you can fit it with the wooden **steps** ideally matching its design.



**BIG STEPS**

Katalina SPA, Laguna SPA, Waterspace SPA



**SMALL STEPS**

Marina SPA



Katalina SPA, Laguna SPA,  
Waterspace SPA



Victoria SPA,  
Victoria SPA with a drainpipe

### A THERMAL COVER AND THE COVER LIFT

It is also worth getting equipped with a light, damp resistant **thermal cover** accompanied by a special cover lift. It is particularly recommended in two cases. If your bath is going to be used outdoors, the cover will prevent water from getting cold and polluted. On the other hand, if you wish your SPA bath to be used indoors, the cover will prevent extensive steaming.



## How does POOLSPA help to maintain hygiene?

SPA baths allow to enjoy the pleasures of taking multiple baths without the necessity of refilling the bath as the water is being treated during the bathing sessions. Disinfection is taking place simultaneously with water filtration performed by means of the **ozone generator**. The ozone, being pumped into the bath, prevents the growth of mould and yeast. It additionally makes **the water remain clean, transparent and fresh**. Apart from disinfection properties and a pleasant smell the air containing ozone positively affects human health.



As the optional element of equipment you can choose a special **ultraviolet lamp**. The lamp is the source of UV-C radiation which **neutralizes** and hampers the growth of bacteria and viruses as well as other "unwanted visitors". Such a solution:

- guarantees freshness and transparency of water,
- disinfects water in the safe and efficient way,
- controls the growth of moulds, bacteria and algae,
- significantly reduces the use of disinfectants,
- prevents the emission of unpleasant chlorine smell,
- prevents skin irritation and eyes reddening,
- is more environmentally friendly than other traditional methods.



In its wide offer POOLSPA has also included some special accessories and preparations for water treatment and its condition control, as well as keeping the baths really clean.



SPA bath cleaning kit



Substances for water hygiene maintenance



Water treatment chemicals

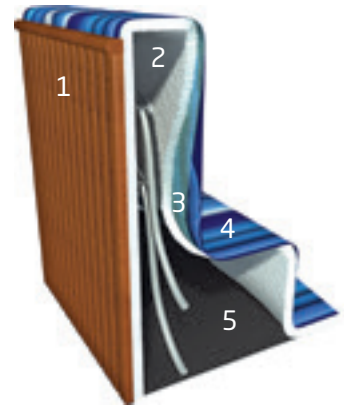


Water condition check kit

## High quality of portable baths

Advanced technologies applied to POOLSPA baths manufacturing process together with their ergonomic design can guarantee the maximum comfort during the bathing session. The innovative **constructional solutions** applied to our baths, allow them to be easily transported to any place you like and using them will always remain safe.

1. The casing made of wood or plastic will perform well in any environment.
2. A polyurethane foam layer ensures the efficient insulation.
3. The use of a polyester laminate makes the construction stable and stiff.
4. The colour of a high quality acrylic can be easily adopted to the environment.
5. A closed floor protects water against the loss of appropriate temperature.

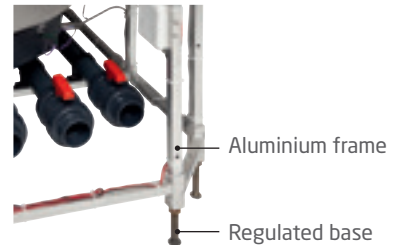


## New! Evolution line

Evolution line is the solution combining the features of portable and stationary baths. It has been applied for the first time in Europe.

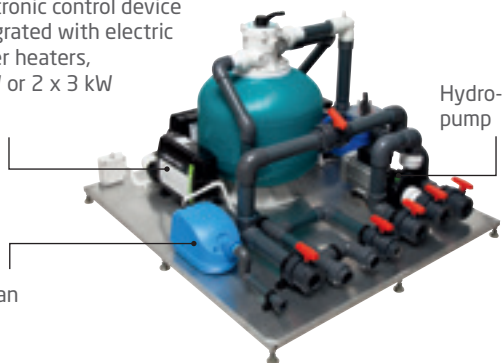


Valves connecting the bath with the engine Preliminary filtration skimmer Thermal insulation (PU foam)



Aluminium frame Regulated base

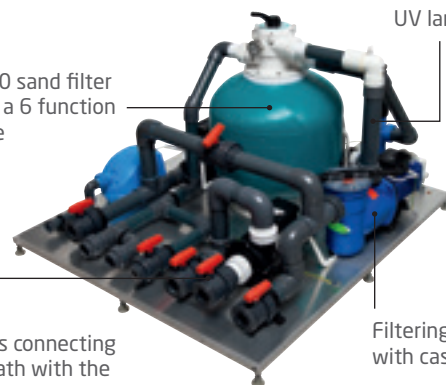
Electronic control device integrated with electric water heaters, 3 kW or 2 x 3 kW



Air fan

Hydro-massage pump

F 500 sand filter with a 6 function valve UV lamp



Valves connecting the bath with the engine pallet

Filtering pump with casing

# Stationary SPA baths

38

Your bathroom used as a venue for socializing and relaxing? Why not?! Invite your closest friends to your private SPA and share the joys of a professional hydro-massage with them! POOLSPA baths will also make an excellent performance in hotels and health and beauty centres. Eco-friendly solutions found in POOLSPA baths, such as heating supplied by means of a heat exchanger will allow you to save energy and reduce the bathing costs.



Sunflower SPA



# STATIONARY SPA BATHS

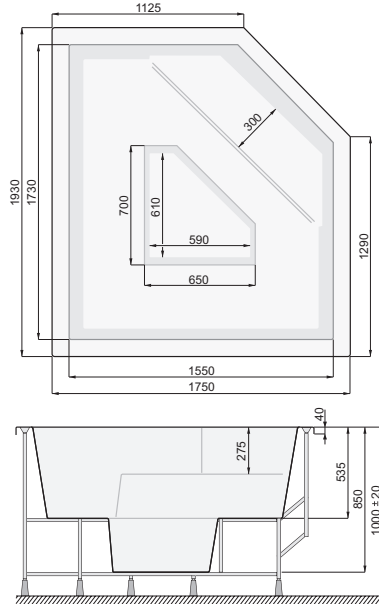




# Janette 175 x 193 cm

Size: 175 x 193 cm  
 Height: 102 cm ± 2 cm  
 Capacity: 700 l

**TECHNICAL DRAWING**



THE BATH IS DESIGNED FOR 3 PEOPLE

NUMBER OF SUCTION NOZZLES: 2

NUMBER OF AIR FLOW ADJUSTERS: 2

NUMBER OF NOZZLES: 6

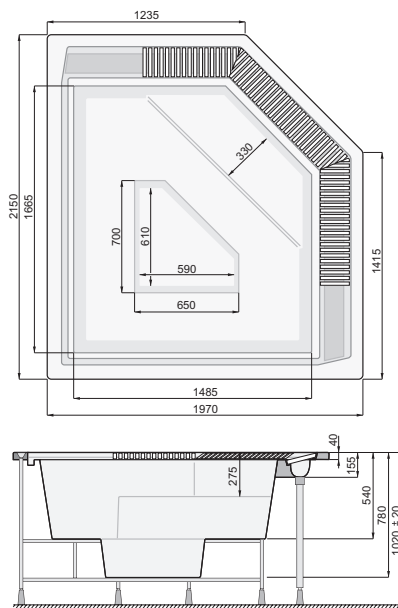
A unit of 104 air ducts  
 110 massage points



# Janette 197 x 215 cm

Size: 197 x 215 cm  
 Height: 102 cm ± 2 cm  
 Capacity: 900 l + 1100 l equalizing tank

**TECHNICAL DRAWING**



THE BATH IS DESIGNED FOR 4 PEOPLE

NUMBER OF SUCTION NOZZLES: 2

NUMBER OF AIR FLOW ADJUSTERS: 2

NUMBER OF NOZZLES: 6

A unit of 104 air ducts  
 110 massage points

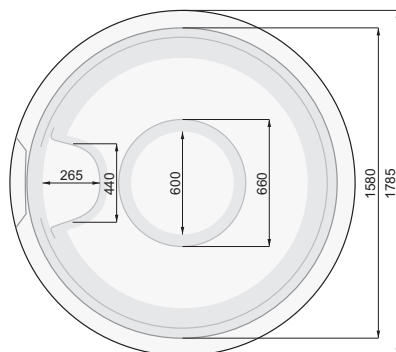


The measurements in the technical drawing are given in millimetres.

## Victoria Ø 177 cm

Size: 177 cm  
 Height: 87 cm ± 2 cm  
 Capacity: 800 l

TECHNICAL DRAWING



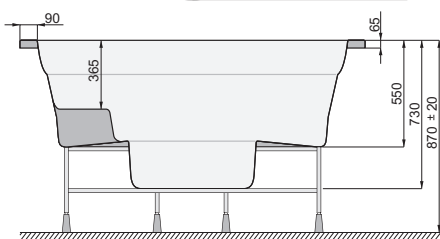
THE BATH IS DESIGNED FOR 4 PEOPLE

NUMBER OF SUCTION NOZZLES: 2

NUMBER OF AIR FLOW ADJUSTERS: 2

NUMBER OF NOZZLES: 6

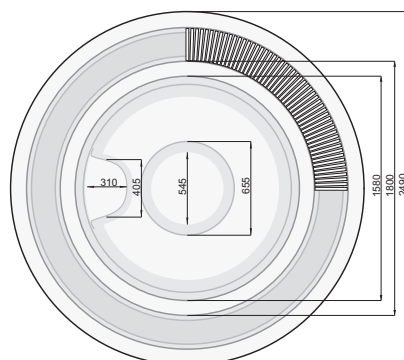
A unit of 94 air ducts  
 100 massage points



## Victoria Ø 249 cm

Size: 249 cm  
 Height: 108 cm ± 2 cm  
 Capacity: 1100 l + 1100 l  
 equalizing tank

TECHNICAL DRAWING



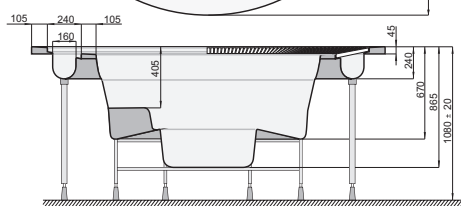
THE BATH IS DESIGNED FOR 5 PEOPLE

NUMBER OF SUCTION NOZZLES: 2

NUMBER OF AIR FLOW ADJUSTERS: 2

NUMBER OF NOZZLES: 6

A unit of 94 air ducts  
 100 punktów masażowych





Victoria SPA bath with a drainpipe

# Classic 186 x 213 cm

Size: 186 x 213 cm  
 Height: 100 cm ± 2 cm  
 Capacity: 1100 l

THE BATH IS DESIGNED FOR 4 PEOPLE

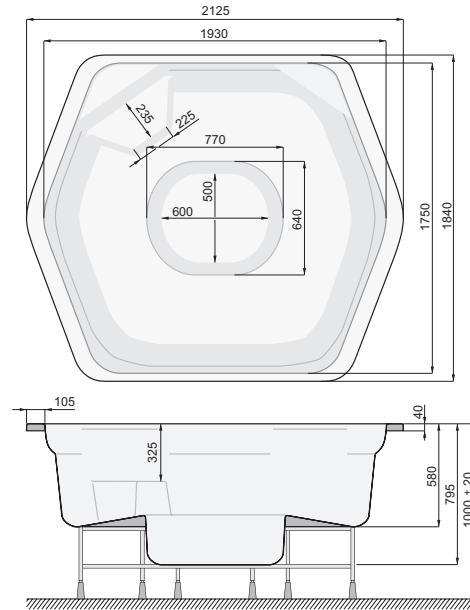
NUMBER OF SUCTION NOZZLES: 2

NUMBER OF AIR FLOW ADJUSTERS: 2

NUMBER OF NOZZLES: 6

A unit of 106 air ducts  
 112 massage points

TECHNICAL DRAWING



# Classic 260 x 234 cm

Size: 260 x 234 cm  
 Height: 108 cm ± 2 cm  
 Capacity: 1400 l + 1100 l  
 equalizing tank

THE BATH IS DESIGNED FOR 5 PEOPLE

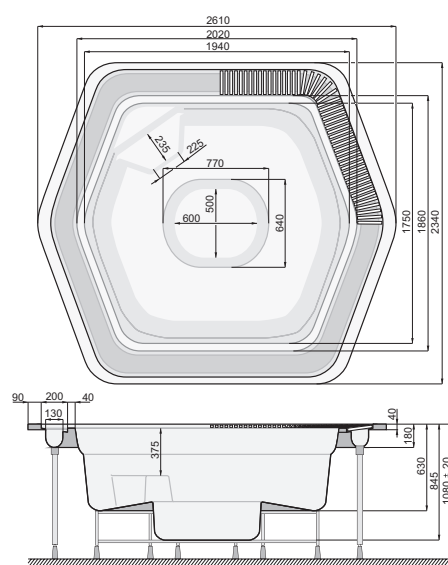
NUMBER OF SUCTION NOZZLES: 2

NUMBER OF AIR FLOW ADJUSTERS: 2

NUMBER OF NOZZLES: 6

A unit of 106 air ducts  
 112 massage points

TECHNICAL DRAWING

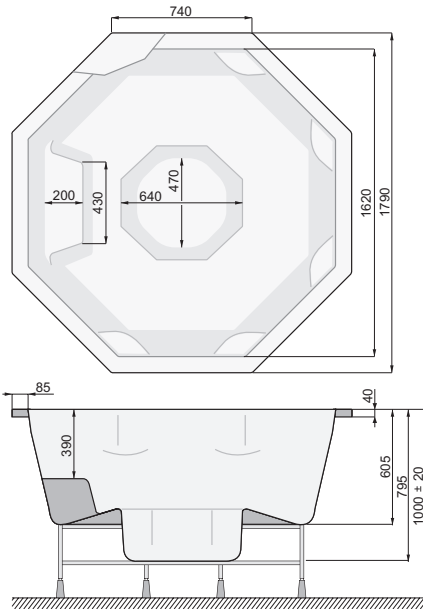


The measurements in the technical drawing are given in millimetres.

# Octavia 179 x 179 cm

Size: 179 x 179 cm  
 Height: 100 cm ± 2 cm  
 Capacity: 850 l

**TECHNICAL DRAWING**



THE BATH IS DESIGNED FOR 4 PEOPLE

NUMBER OF SUCTION NOZZLES: 4

NUMBER OF AIR FLOW ADJUSTERS: 2

NUMBER OF NOZZLES: 7

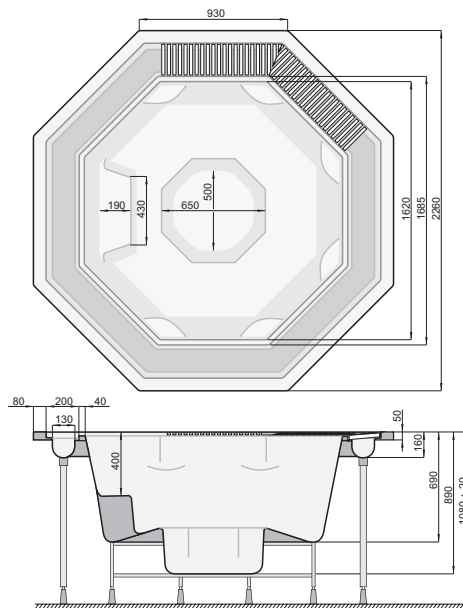
A unit of 93 air ducts  
 100 massage points



# Octavia 226 x 226 cm

Size: 226 x 226 cm  
 Height: 108 cm ± 2 cm  
 Capacity: 1050 l + 1100 l equalizing tank

**TECHNICAL DRAWING**



THE BATH IS DESIGNED FOR 5 PEOPLE

NUMBER OF SUCTION NOZZLES: 4

NUMBER OF AIR FLOW ADJUSTERS: 2

NUMBER OF NOZZLES: 7

A unit of 93 air ducts  
 100 massage points



The measurements in the technical drawing are given in millimetres.

## Natalie 253 x 253 cm

Size: 253 x 253 cm  
 Height: 100 cm ± 2 cm  
 Capacity: 1300 l + 1100 l  
 equalizing tank

THE BATH IS DESIGNED FOR 5 PEOPLE

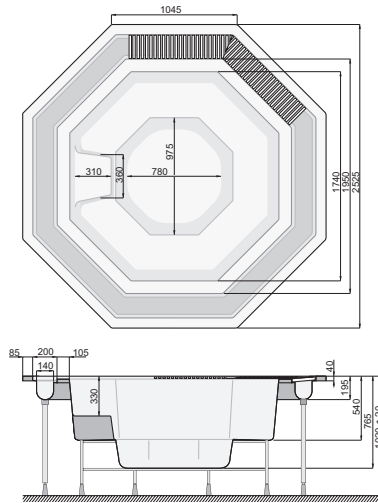
NUMBER OF SUCTION NOZZLES: 4

NUMBER OF AIR FLOW ADJUSTERS: 2

NUMBER OF NOZZLES: 6

A unit of 111 air ducts  
 117 massage points

### TECHNICAL DRAWING



## Sunflower Ø 283 cm

Size: Ø 283 cm  
 Height: 116 cm ± 2 cm  
 Capacity: 2000 l + 1100 l  
 equalizing tank

THE BATH IS DESIGNED FOR 8 PEOPLE

NUMBER OF PUMPS: 2

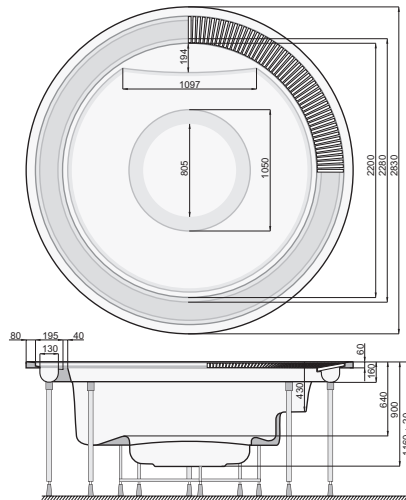
NUMBER OF SUCTION NOZZLES: 4

NUMBER OF AIR FLOW ADJUSTERS: 4

NUMBER OF NOZZLES: 14

A unit of 142 air ducts  
 156 massage points

### TECHNICAL DRAWING



## Olivia 248 x 299 cm

Size: 248 x 299 cm  
 Height: 111 cm ± 2 cm  
 Capacity: 2100 l + 1100 l  
 equalizing tank

THE BATH IS DESIGNED FOR 7 PEOPLE

NUMBER OF PUMPS: 2

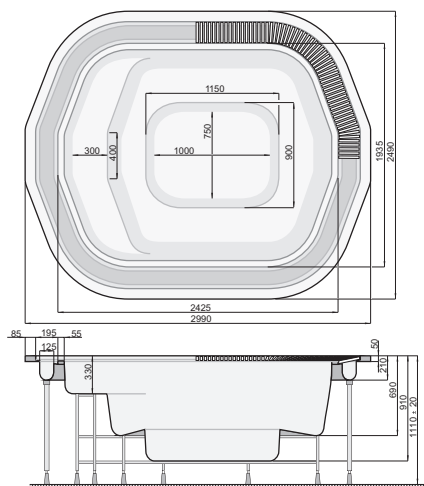
NUMBER OF SUCTION NOZZLES: 4

NUMBER OF AIR FLOW ADJUSTERS: 2

NUMBER OF NOZZLES: 13

A unit of 161 air ducts  
 174 massage points

### TECHNICAL DRAWING



The measurements in the technical drawing are given in millimetres.



Olivia SPA

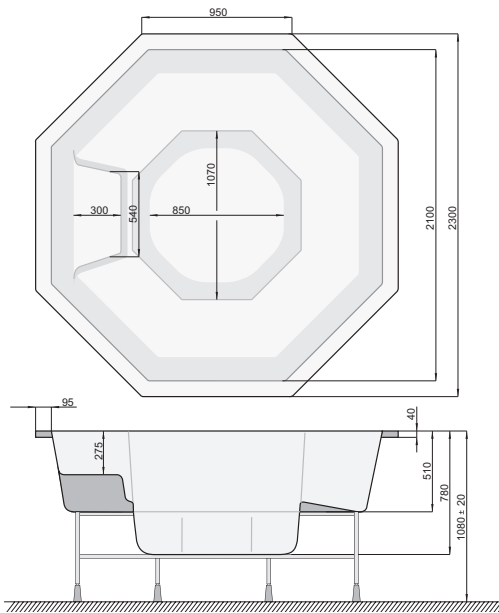




## Vesta 230 x 230 cm

Size: 230 x 230 cm  
 Height: 108 cm ± 2 cm  
 Capacity: 1100 l

**TECHNICAL DRAWING**



THE BATH IS DESIGNED FOR 7 PEOPLE

NUMBER OF SUCTION NOZZLES: 4

NUMBER OF AIR FLOW ADJUSTERS: 2

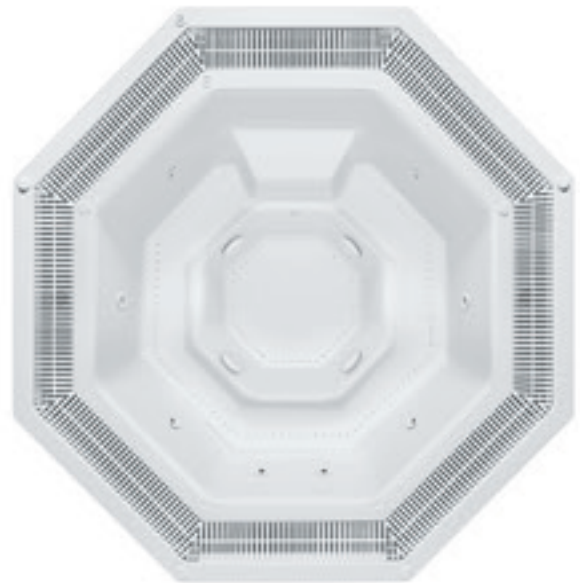
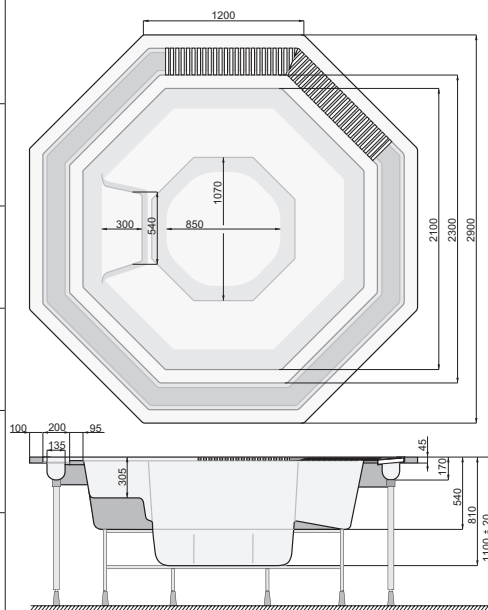
NUMBER OF NOZZLES: 7

A unit of 140 air ducts  
 147 massage points

## Vesta 290 x 290 cm

Size: 290 x 290 cm  
 Height: 110 cm ± 2 cm  
 Capacity: 1600 l + 1100 l  
 equalizing tank

**TECHNICAL DRAWING**



THE BATH IS DESIGNED FOR 7 PEOPLE

NUMBER OF SUCTION NOZZLES: 4

NUMBER OF AIR FLOW ADJUSTERS: 2

NUMBER OF NOZZLES: 7

A unit of 140 air ducts  
 147 massage points

All measurements in the technical drawing are given in millimetres.

### How do hydro-massage devices work?

Big regular nozzles through which water gets into the baths, are responsible for giving an intense massage to particular parts of the body. The hydro-massage can help you decrease muscle tension and soothe the backache. Stationary SPA baths have been equipped with the nozzles of a well-known HydroAir brand.



A water massage

An innovative system of air ducts located in the lower part of the bath is fully responsible for a bubbling bath. Millions of air bubbles are coming out of the bath's perforated bottom and gently massage your body, they decrease muscle tension, improve the skin texture and positively affect blood circulation, nervous and respiratory systems.



A bubbling bath

---

### A bath and a massage under full control!

Each stationary SPA bath has been equipped with a 3-function electronic control panel which is responsible for starting air and water massage and switching on the underwater illumination.

Controlling the parameters of your bath is not complicated at all. This fact has already been appreciated by the visitors to health and beauty centres and aqua parks where POOLSPA baths can be found.



3-function control panel

## Choose from a wide range of colours...

The SPA environment affects all human senses, therefore the range of colours plays such a significant role in arranging your bathroom design. You can easily adopt your bath to any bathroom design, simply choosing the acrylic in the most appropriate colour that would emphasize the bathroom's style.

### COLOURS OF THE ACRYLIC



White perlescent



Ocean wave opal

---

## ...additionally illuminated in an excellent way!

The pleasures of your relaxing bathing session will be made more intense by the magic of the SPA baths underwater illumination. You are the only person who decides about the amount of light, its intensity and colours so you can put yourself into the most suitable mood.



White spot LED light  
(standard)



Multi-coloured spot light  
(option)



Multi-spot coloured illumination of  
LED-type, 24 mini lenses (option)

# EQUIPMENT ELEMENTS

## EXCLUSIVE VERSION

A completely equipped SPA bath for a **private use**

The engine room placed on the pallet.

### EQUIPMENT:

- electronic control (the main control panel, 3F switch located in the top part of the bath),
- water massage 2,0 kW pump (Olivia, Sunflower - 2 pumps),
- water massage intensity control by means of air supply
- air massage - axial air fan of 1,2 kW,
- bathing temperature setting,
- white spot LED light (standard) or multi-coloured LED light (option) or multi-spot coloured illumination 24 LED (option),
- electric heater of 9 kW (Olivia, Sunflower - 12 kW) or heat exchanger warm water-water 44 kW (option).

### FILTERING SYSTEM:

- filtering pump of 0,75 kW,
- sand filter F 500,
- equalizing tank of 1100 l (height 1400 mm, width 700 mm, length 1400 mm) versions with an overflow gutter only,
- grate (versions with overflow gutter only),
- the main control panel, 3F switch in the top part of the bath.

## PUBLIC VERSION

A completely equipped SPA bath for a **public use**

The engine room placed on the pallet.

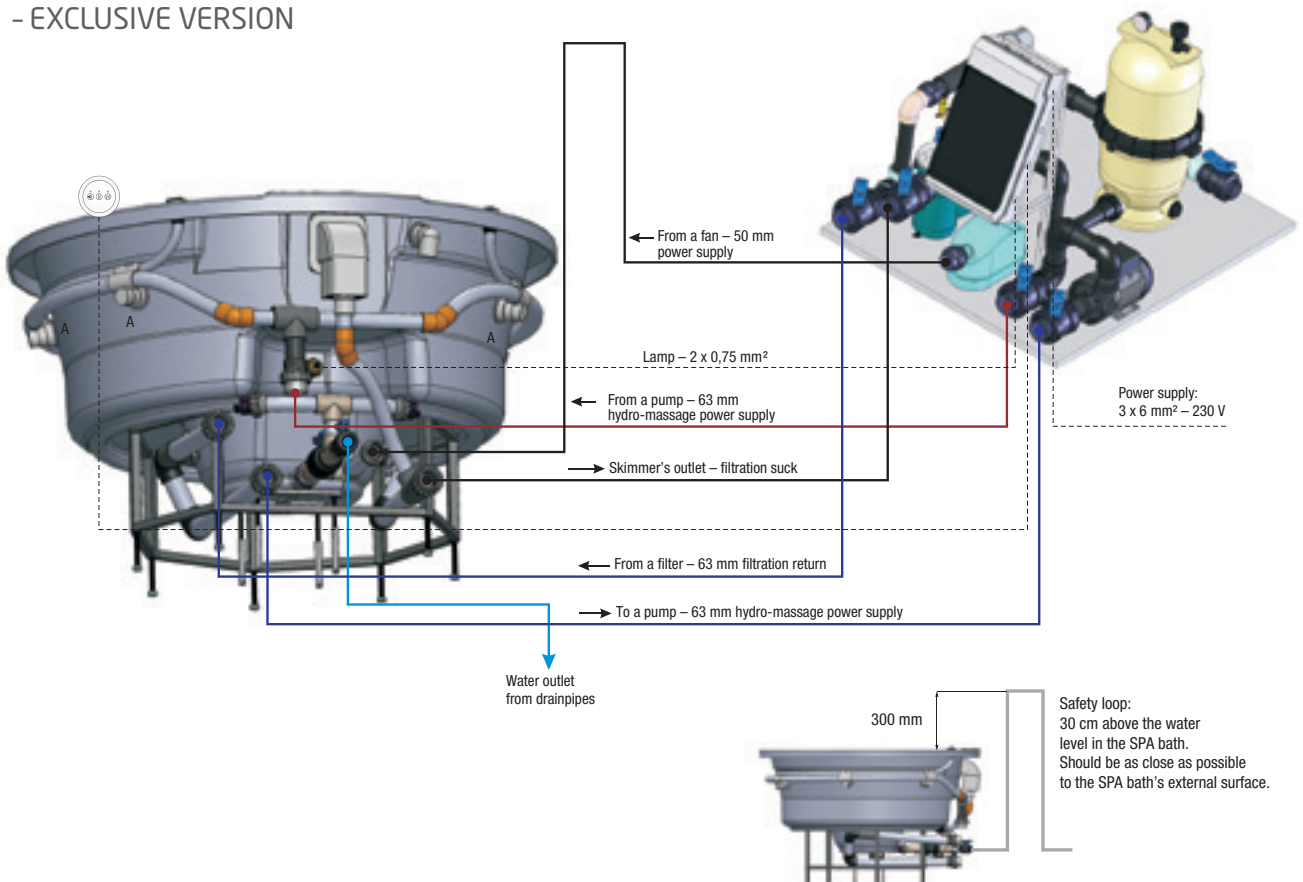
### EQUIPMENT:

- electronic control,
- water massage 2,0 kW pump (Olivia, Sunflower - 2 pumps),
- water massage intensity control by means of air supply
- air massage - radial air fan of 1,3 kW,
- white spot LED light (standard) or multi-coloured LED light (option) or multi-spot coloured illumination 24 LED (option),
- electric heater of 9 kW (Olivia, Sunflower 12 kW) or heat exchanger water-water 44 kW (option),
- automatic water treatment station equipped with a water flow sensor.

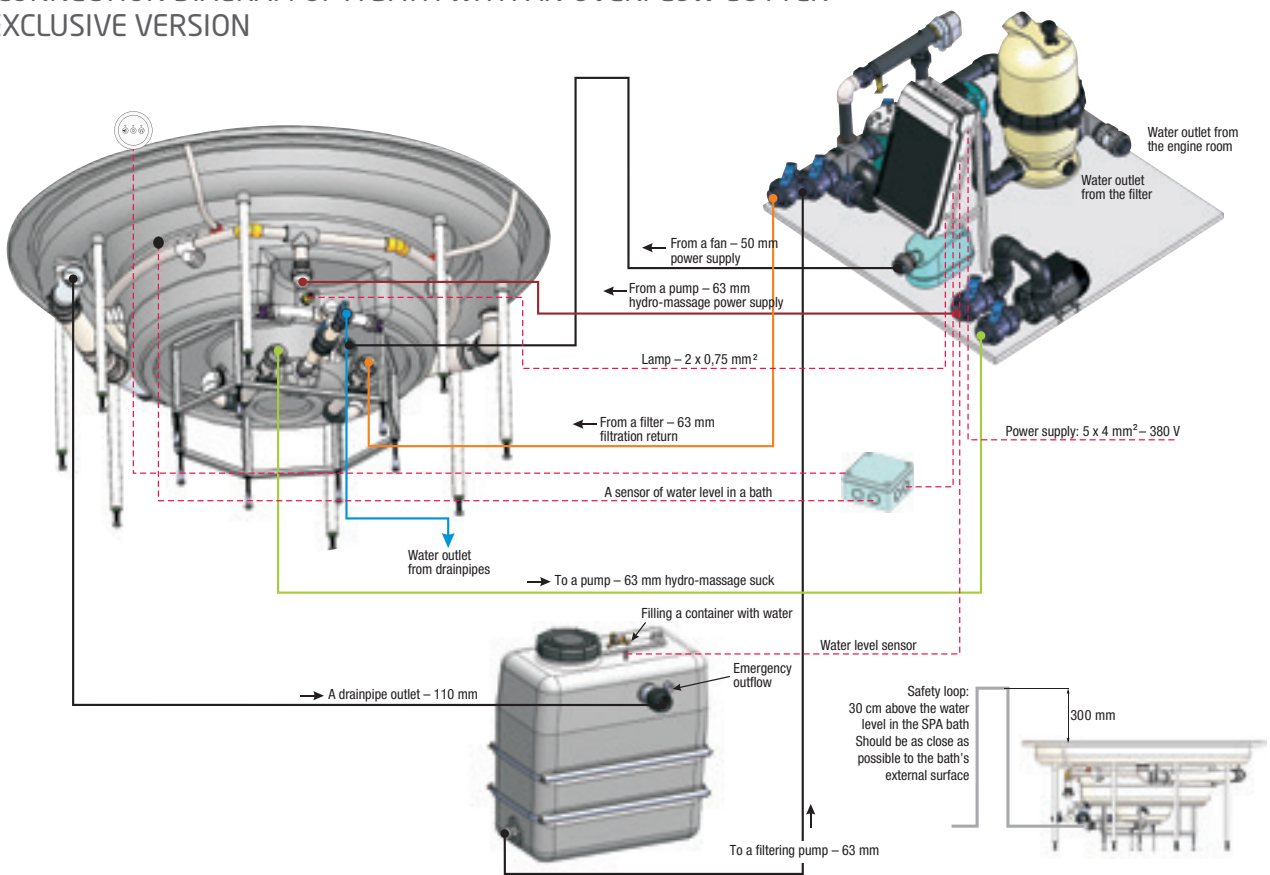
### FILTERING SYSTEM:

- filtering pump of 0,75 kW,
- sand filter F 765,
- equalizing tank of 1100 l (height 1400 mm, width 700 mm, length 1400 mm),
- grate (versions with overflow gutter only),
- the main control panel, 3F switch in the top part of the bath.

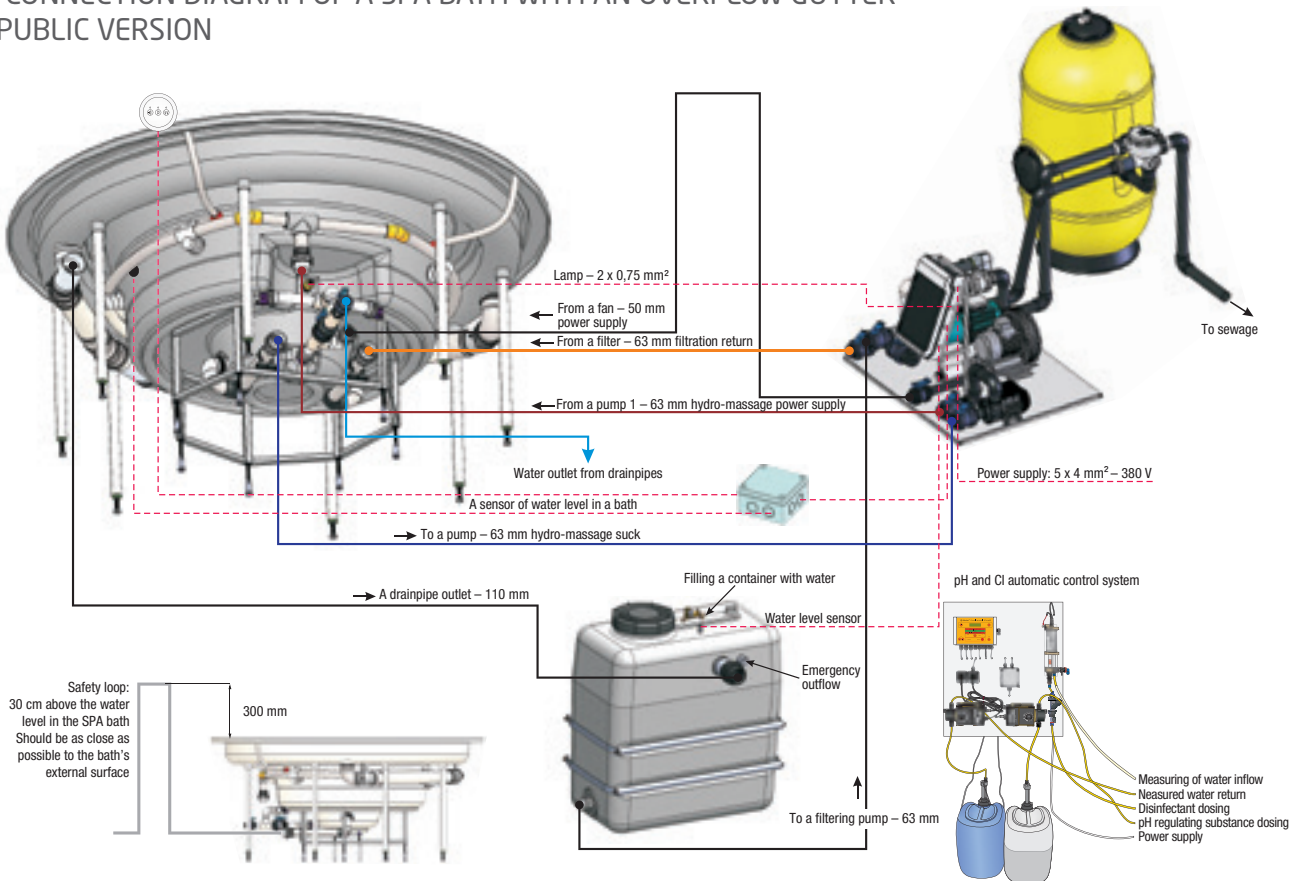
## A CONNECTION DIAGRAM OF A BATH WITH A SKIMMER - EXCLUSIVE VERSION



## A CONNECTION DIAGRAM OF A BATH WITH AN OVERFLOW GUTTER - EXCLUSIVE VERSION



## A CONNECTION DIAGRAM OF A SPA BATH WITH AN OVERFLOW GUTTER - PUBLIC VERSION



# The brand you can trust!



## GLOBAL POWER

POOLSPA brand belongs to ROCA group which is one of the biggest manufacturer of bathroom equipment in the world. It operates in 135 countries on 4 continents and is in the possession of 78 factories.



## DEVELOPMENT FOR CUSTOMERS' BENEFIT

As the forerunner of the wellness idea POOLSPA is the market leader among the manufacturers of luxury hydro-massage devices. It owes this top position to many years of experience as well as constant search for innovative solutions that would provide its Customers with better health, beauty and physical and mental state.



## EUROPEAN PRODUCER

## EUROPEAN MANUFACTURER

POOLSPA baths are made in Poland where the company located one of the most modern plants in this business. Therefore the customers can be serviced promptly and they can rely on the delivery of the ordered goods and their parts on time as well as on reasonable prices and the European quality level.



## TOP QUALITY ACRYLIC

POOLSPA baths are the choice for years. The application of top quality sanitary acrylic makes the products long lasting and all models perfect finishing together with the thorough material quality control during the technological process help to ensure a long guarantee time for each item. Touching any POOLSPA bath feels smooth, warm and pleasant and its colour is intense and durable.



## HIGH QUALITY COMPONENTS

## COMPONENTS FROM REPUTED SUPPLIERS

All the devices bearing POOLSPA logo combine a sophisticated design with the highest functional values. They are all made with a special care even about the tiniest detail with regard to both, their aesthetic look and their reliability. There is no place left for any quality compromise - the company's suppliers are the leading world-wide bath components manufacturers.



Nozzles applied in stationary baths



Nozzles applied in portable and hybrid baths



Controlling systems



Antibacterial acrylic



Antibacterial acrylic

# Learn more about POOLSPA!

Portable, stationary and hybrid SPA baths constitute only a part of POOLSPA offer as, apart from them, it also contains a wide range of wellness products including acrylic baths, baths with a hydro-massage option, bath screens, massage panels, footbaths and many, many more.

A complete review of our full assortment is available on [www.poolsa.eu](http://www.poolsa.eu), where you can find information about the latest promotions and new products, look at some inspiring bathroom arrangements and check technical details.

It is also worth getting familiar with other POOLSPA catalogues which can be downloaded from [www.poolsa.eu/pliki.html](http://www.poolsa.eu/pliki.html).



Our website has been created in RWD technology, which means, the picture gets automatically adjusted to the width and definition of the screen that is being used. Thanks to such a solution, viewing our website is equally comfortable on either a big monitor, a tablet or a smartphone.

We are the first company in this business who decided to use this technology. We also offer the application that quickly allows to find the answer to the FAQs. Apart from viewing our website the customers are also able to send us their questions by means of a special form we put on our website:

<http://www.poolsa.eu/kontakt.html>



The producer reserves the right to change the image, construction and parameters of the products presented and described in the above catalogue without giving a prior notice. The arrangements of the interiors shown in the catalogue do not have to match the appropriate sanitary fittings. A real look of the products can differ from those presented in the pictures. This catalogue does not constitute the offer in the understanding of the Civil Code regulations.

POOLSPA products available in:



Helpline: **801 88 76 22**



Victoria SPA bath  
with a drainpipe